

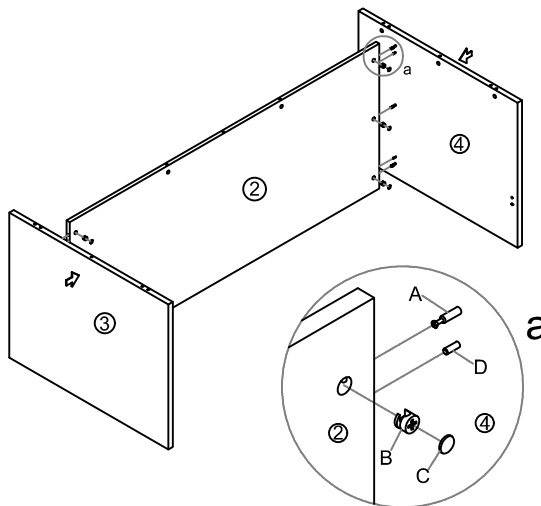
# Assembly Instructions

## MODEL NO.N269G

### GLAZED RECEPTION DESK

TUN010CL	TUN011KC	C	TUN026	TUN021AG	TUN013LB	TUN018SC	TUN015BG	J	K	L	M	N
Cam lock 14Pcs+1Pc(spare)	Klix Cam 14Pcs+1Pc(spare)	Cam Cover 19Pcs+1Pc(spare)	Dowel 9Pcs+1Pc(spare)	Adjustable Glide 4Pcs	6Hole L-Bracket 5Pcs	Screw#4*5/8" 46Pcs+1Pc(spare)	80mm Black Grommet 2Pcs	Screw#10*40 4Pcs	Screws 2Set	Dowels 2Set	L-Bracket 1Pcs	Screws 3Set

### STEP 1

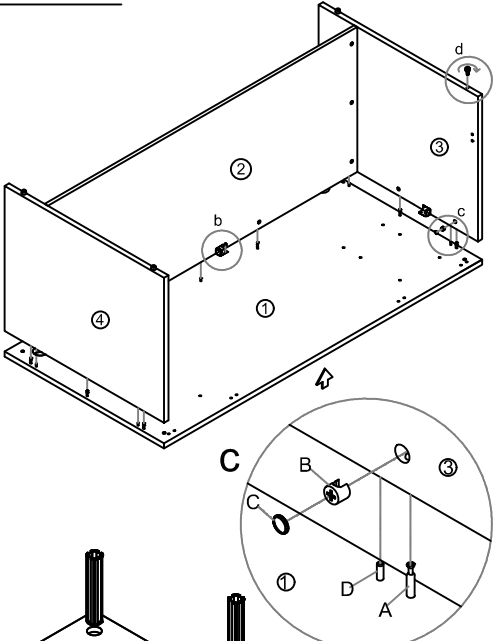


**IMPORTANT:  
FUNCTION OF KLIX CAM**

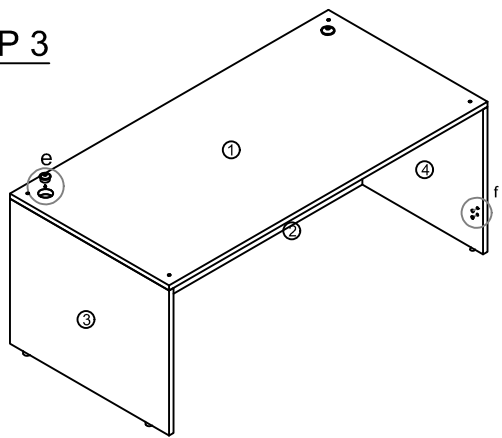
1/4 RIGHT  
TURN FOR  
LOCKING

Make Sure The Arrow Is  
Pointing Upwards Before  
Inserting Into The Panels Hole

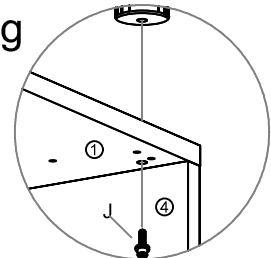
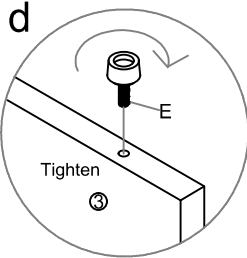
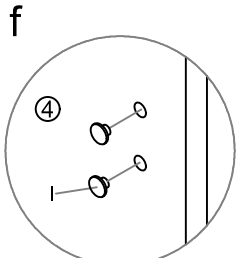
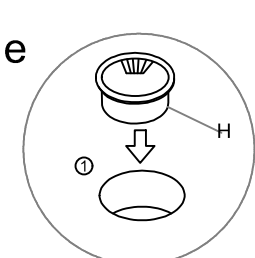
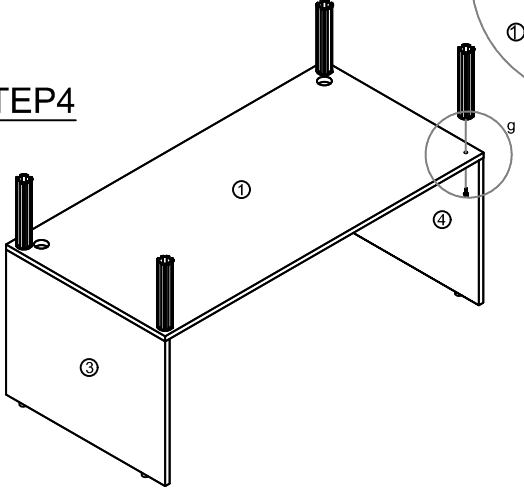
### STEP 2



### STEP 3



### STEP 4






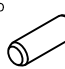







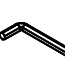

**IMPORTANT NOTE:**

- Place all laminated parts on a clean and smooth surface such as a rug or carpet to avoid the parts from being scratched.
- Check to be sure that you have all parts and hardware.
- Remove all wrapping materials, including staples & packing straps before you start to assemble.
- Don't tighten all screws/bolts until all completely assembled.
- Keep all hardware parts out of reach of children
- If the product is not working properly, is missing a part, is damaged, or if you have any questions, please call customer service hotline before returning.
- Customer Service Hotline: 1-800-593-1888 For further assembly instructions, please visit our website at [www.bosschair.com](http://www.bosschair.com)

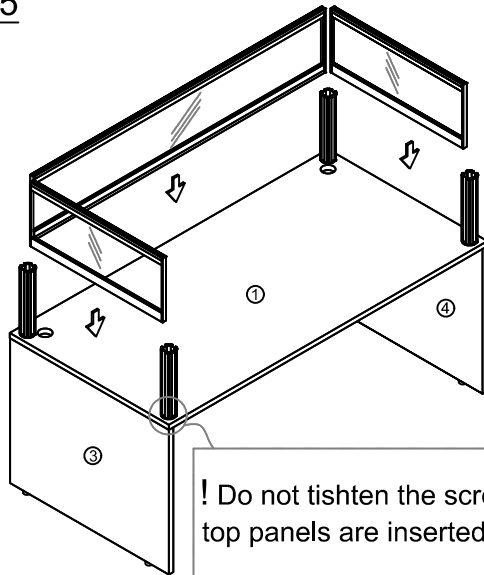
# Assembly Instructions

## MODEL NO.N269G

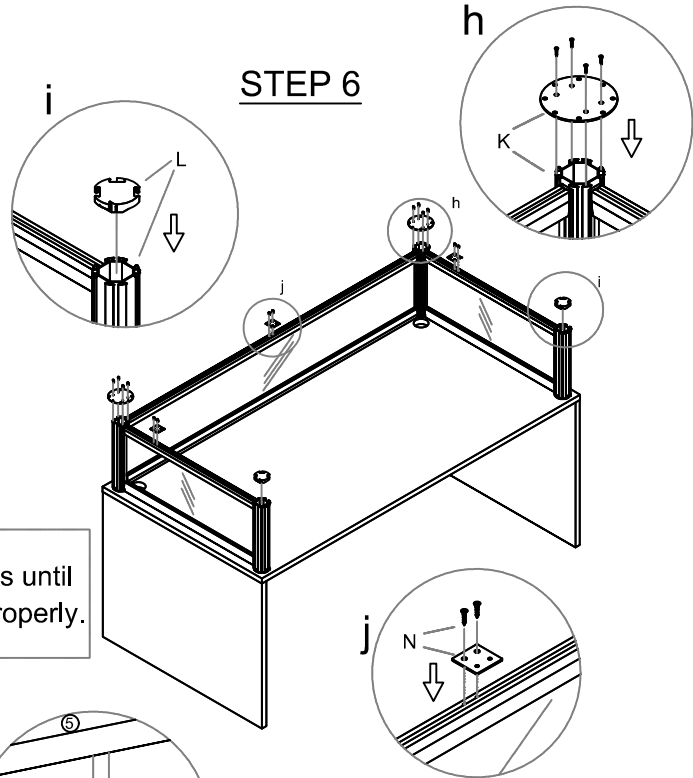
### GLAZED RECEPTION DESK

TUN010CL	TUN011KC		TUN026	TUN021AG	TUN013LB	TUN018SC	TUN015BG							
A	B	C	D	E	F	G	H	J	K	L	M	N		
														
Cam Lock 14Pcs+1Pc(spare)	Klix Cam 14Pcs+1Pc(spare)	Cam Cover 19Pcs+1Pc(spare)	Dowel 9Pcs+1Pc(spare)	Adjustable Glide 4Pcs	6-Hole L-Bracket 5Pcs	Screw#4*5/8" 46Pcs+1Pc(spare)	80mm Black Grommet 2Pcs	Screw#10*40 4Pcs	2Set	2Set	1Pcs	3Set		

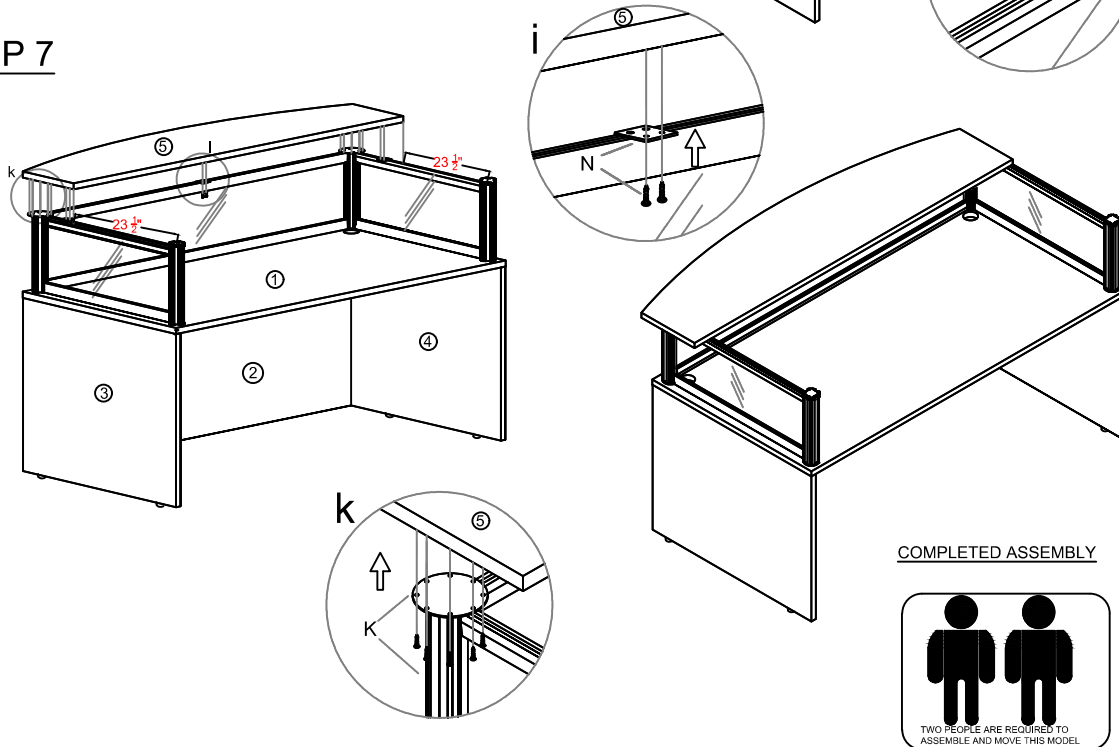
#### STEP 5



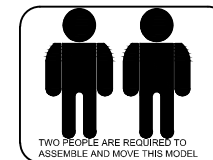
#### STEP 6



#### STEP 7



COMPLETED ASSEMBLY



#### IMPORTANT NOTE:

- Place all laminated parts on a clean and smooth surface such as a rug or carpet to avoid the parts from being scratched.
- Check to be sure that you have all parts and hardware.
- Remove all wrapping materials, including staples & packing straps before you start to assemble.
- Don't tighten all screws/bolts until all completely assembled.
- Keep all hardware parts out of reach of children
- If the product is not working properly, is missing a part, is damaged, or if you have any questions, please call customer service hotline before returning.
- Customer Service Hotline: 1-800-593-1888 For further assembly instructions, please visit our website at [www.bosschair.com](http://www.bosschair.com)