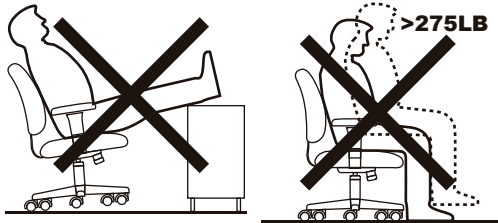


Thank you for purchasing our product.

Please read this assembly instruction sheet before you assemble this product. Make sure that all the parts listed on this sheet are included in the carton. This will make the assembly process quicker.

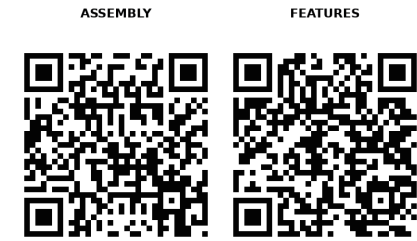
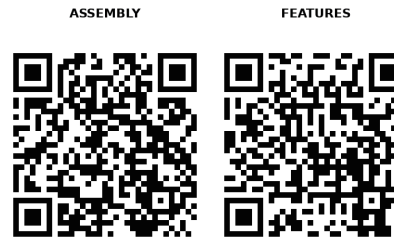
For missing, damaged or defective parts, simply scan the QR code below and follow the instructions for warranty service.



Insert and loosely tighten all screws. When assembly is completed, fully tighten all screws before using. This chair is only intended for sitting. Any other use will void the warranty.

Customer Service Hotline: 800.593.1888

For further assembly instructions, please visit www.bosschair.com



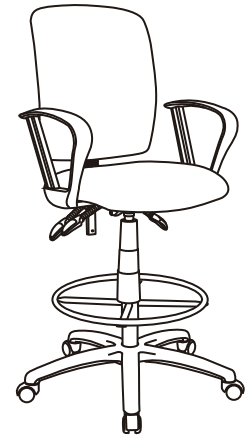
MODEL : B1635/1645

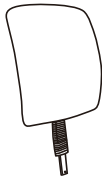

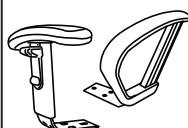
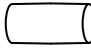
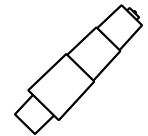


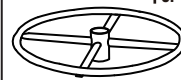






B1636/1646



B1637/1647



① x1	② x1	③ x1(L/R)	④ x1	⑤ x1
 Back Cushion	 Seat Cushion	 Right & Left Arm	 Foot Ring EXT	 Gas Lift
⑥ x1	⑦ x5	⑧ x1	Arm Screws for B1636/1646	Arm Screws for B1637/1647
 Base	 Casters	 Foot Ring	 A x6 M6 X 25  B x1 ALLEN KEY	 A x6 M6 X 30  B x1 ALLEN KEY

