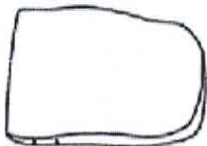


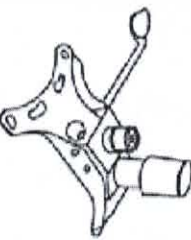

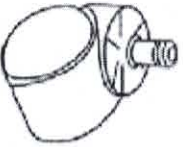
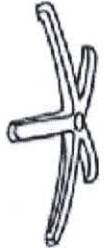
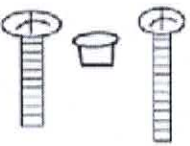
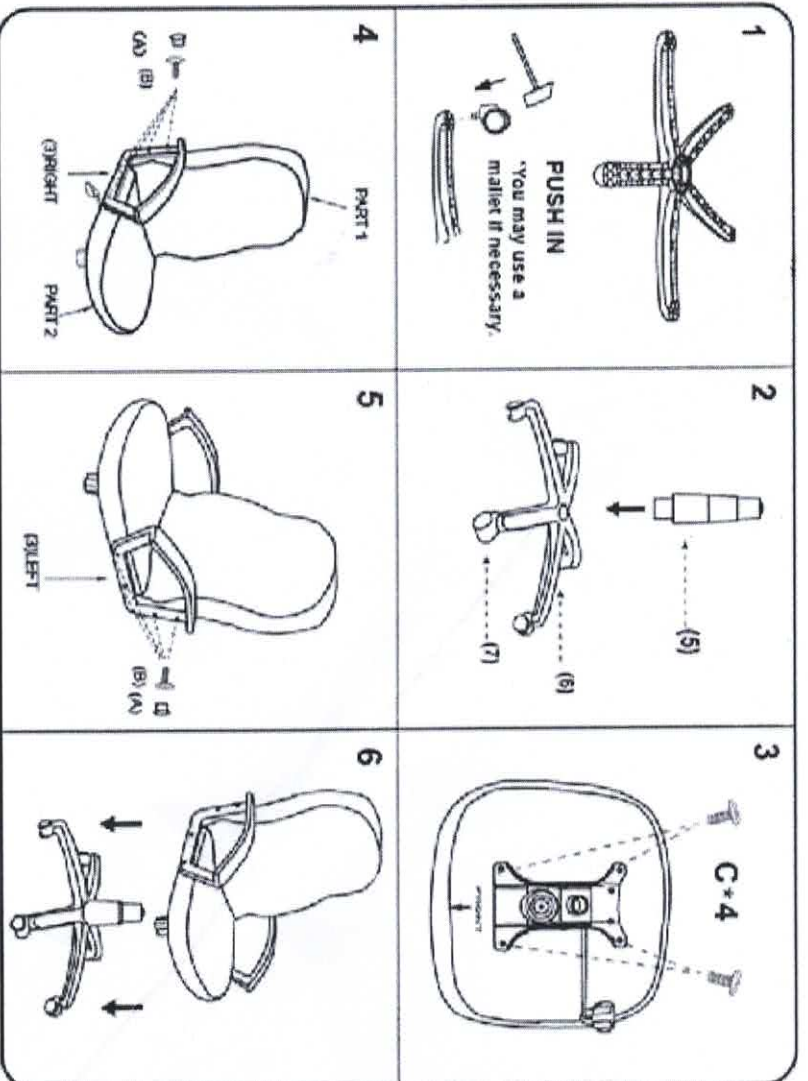


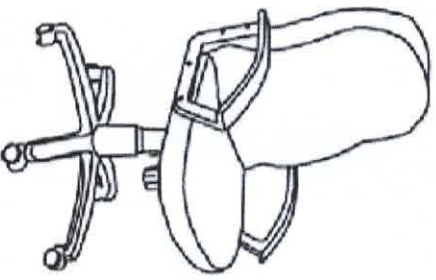
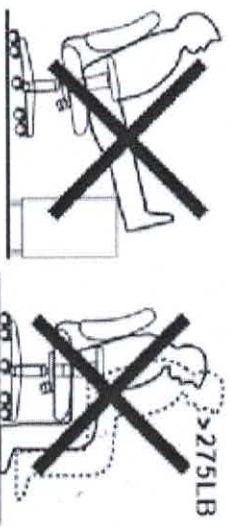
Please unscrew all hardware from cushion before assembly.
Por favor de destornillar todos los tornillos del cojín antes de ensamblar la silla.

MODEL: B426BK B7226IV

 Back (4)x1	 Seat (5)x1	 Right & Left Arm (6)x1
 Mechanism (7)x5	 Gas Lift	
 Casters	 Base	
	(A)*8 (B)*8 (C)*4	 M6*18 ARM SCREW ARM CAP M8*22 MECHANISM SCREW



Insert and loosely tighten all screws. When assembly is completed, fully tighten all screws before using. This chair is only intended for sitting. Any other use will void the warranty.



Customer Service Hotline: 1-800-593-1888 For further assembly instructions, please visit our website at www.bosschair.com