

# MESH CHAIR

## ASSEMBLY INSTRUCTIONS



Please read the instruction sheets completely before assembly.

## ASSEMBLY INSTRUCTIONS

1. Please carefully confirm whether the parts are missing or damaged before assembly.
2. Please note that once installed, the gas lift is somewhat difficult to remove.
3. If you need to disassemble the chair in special circumstance, please use a plastic hammer to continuously hit the connection between the gas lift and other parts. Pay attention to safety when hitting to prevent parts from falling off and causing damage.

## CARE INSTRUCTIONS

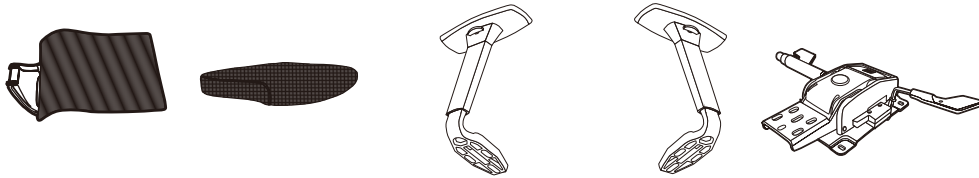
1. Please use soft cloth for cleaning.
2. Please avoid using it in places with excessive humidity or fireworks.
3. Please do not step on the chair or use it as a ladder .
4. Do NOT disassemble the gas lift.
5. Max Weight Load:275LBS

# Estimated Assembly Time:30 minutes

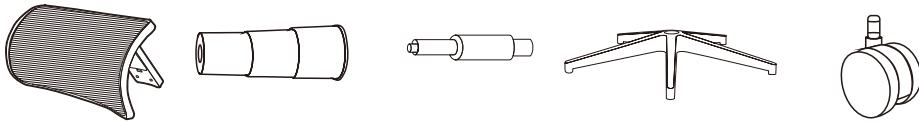
Avoid damage when unpacking



- ① Backrest X1 ② Seating X1 ③ 1.Right arm X1 ③ 2.Left arm X1 ④ Mechanism X1



- ⑤ Headrest X1 ⑥ Dust cover X1 ⑦ Gas lift X1 ⑧ Base X1 ⑨ Casters X5



- ⑩ Decorative cover ⑪ Hexagonal screws (M6\*20) X2 ⑫ Flange hexagonal socket screw(M6\*35) X8



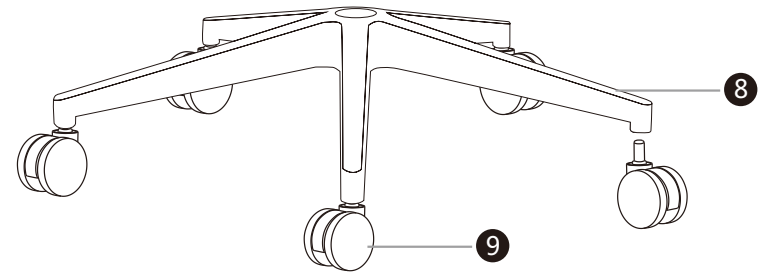
- ⑬ Hexagonal screws (M6\*30) X2

- ⑭ Hexagonal screws (M8\*20) X3

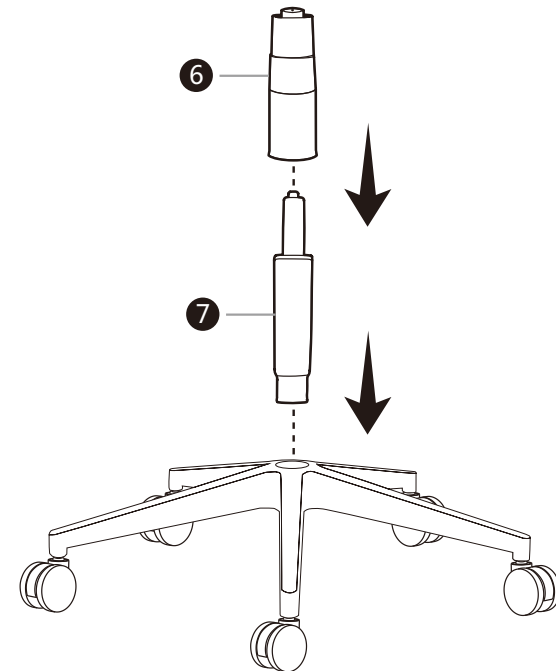
- ⑮ Allen key X1



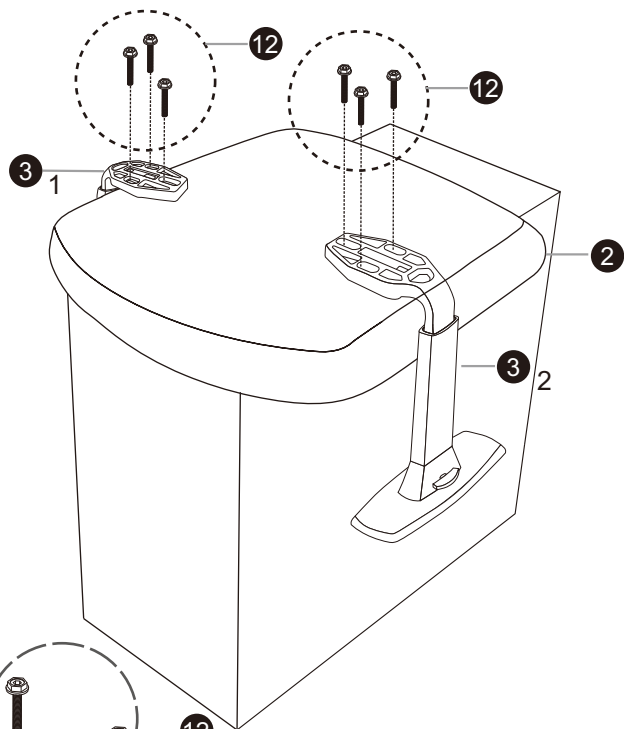
Step 1:



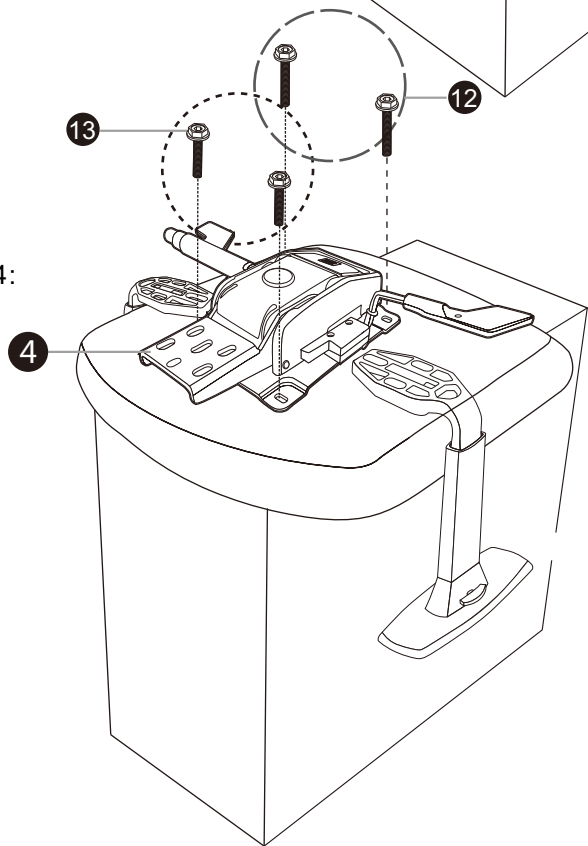
Step 2:



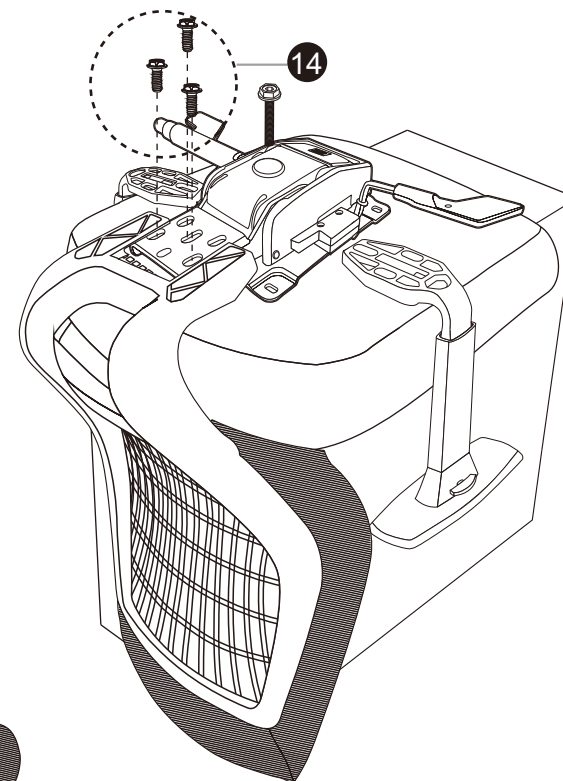
Step 3:



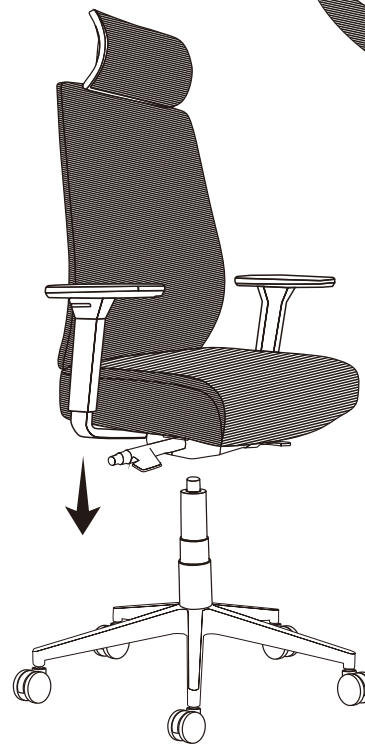
Step 4:



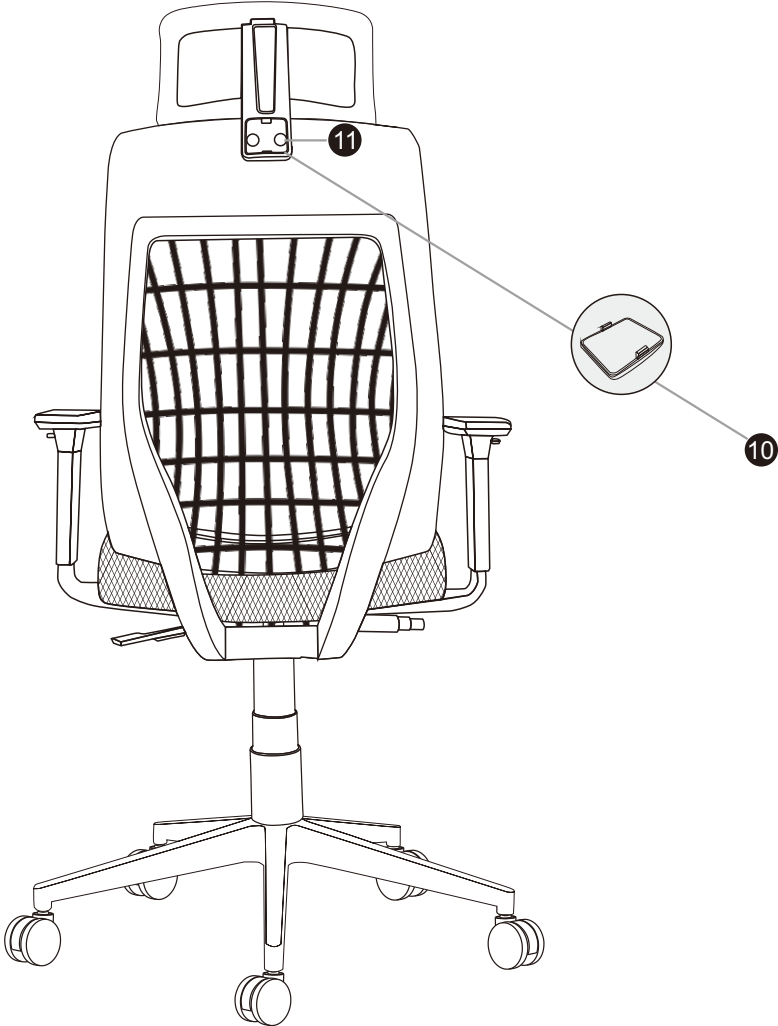
Step 5:



Step 6:



Step 7:



Step 8:

