



Thank you for purchasing our product.

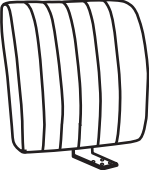

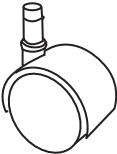
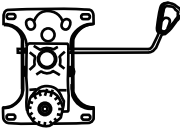
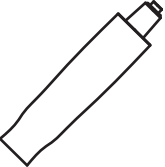

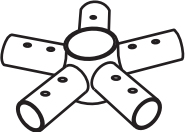

Please read this assembly instruction sheet before you begin to assemble this product. Make sure that all the parts listed on this sheet are included in the carton. This will make the assembly process quicker.


For missing, damaged or defective parts, simply scan the QR code below and follow the instructions for warranty service.




MODEL : B4035C



(1)x1	(2)x1	(3)x1	(4)x1
			
Back Cushion	Seat Cushion	Caster	Mechanism
(5)x1	(6)x1	(7)x5	(8)x1
			
Gas Lift	Metal Legs	Base	Base Cover

**(A)X4**   
M6\*22 MECHANISM SCREW

**(B)X4**   
M6\*30 L-BAR SCREW

**(C)X10**   
M6\*18 BASE SCREW

