


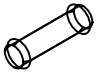

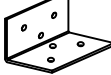

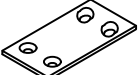




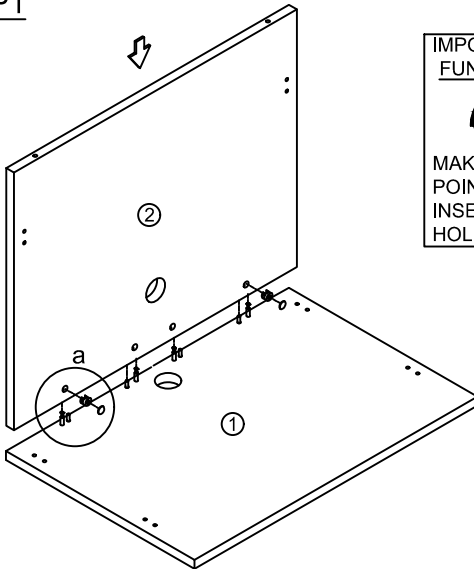
Assembly Instructions


MODEL NO:N197

BRIDGE

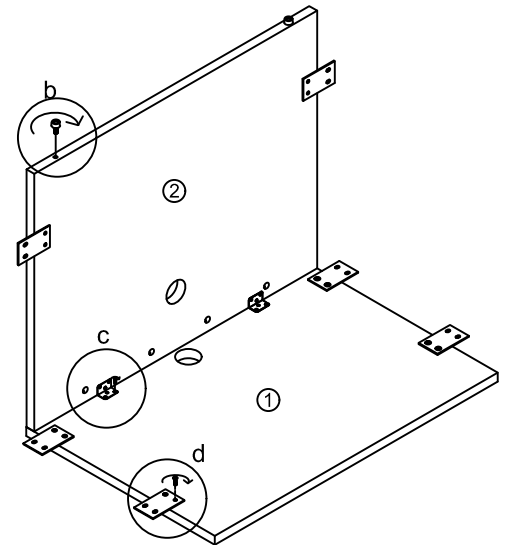
TUN010CL	TUN010KL		TUN026	TUN021AG	TUN013LB	TUN018SC	TUN019IB		TUN015BG
A 	B 	C 	D 	E 	F 	G 	H 	I 	J 
Cam lock 4Pcs+1Pc(spare)	Klix Cam 4Pcs+1Pc(spare)	Cam Cover 4Pcs+1Pc(spare)	Dowel 4Pcs+1Pc(spare)	Adjustable Glide 2 Pcs	6Hole L-Bracket 2Pcs	screw#1 1/4" 12Pcs+1Pc(spare)	I-Bracket 6Pcs	screw #6 x 12 24Pcs+1Pcs(spare)	80mm Black Grommet 2 Pcs

STEP1

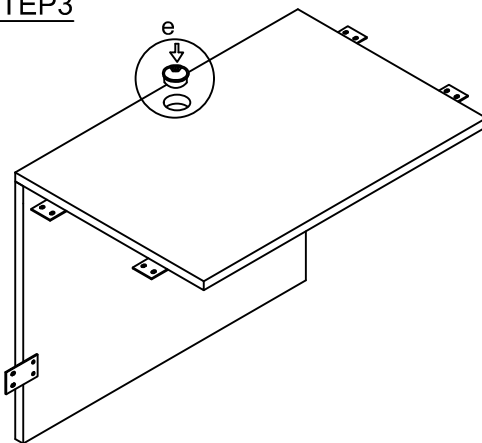


IMPORTANT:
FUNCTION OF KLIX CAM

 1/4 RIGHT
 TURN FOR
 LOCKING
 MAKE SURE THE ARROW IS
 POINTING UPWARDS BEFORE
 INSERTING INTO THE PANELS
 HOLE

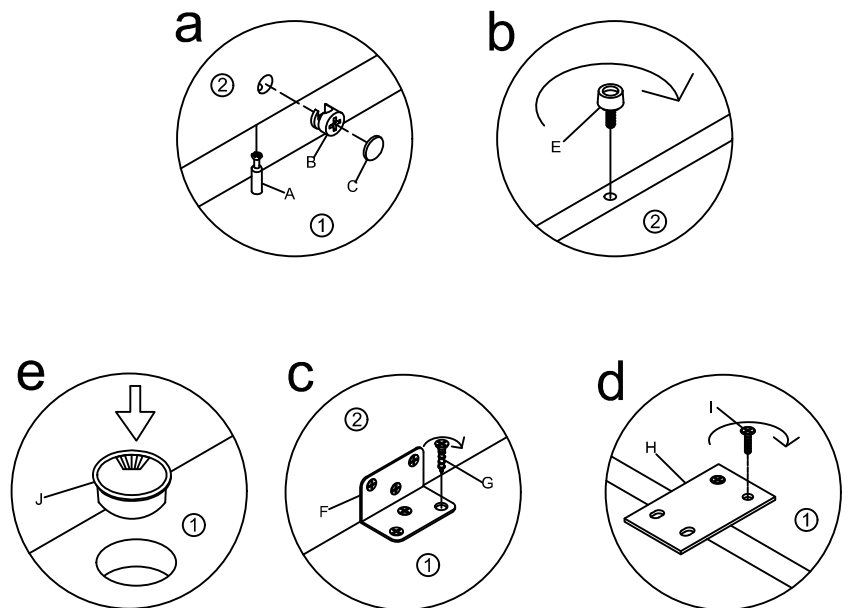
STEP2



STEP3



COMPLETED ASSEMBLY



IMPORTANT NOTE:

- Place all laminated parts on a clean and smooth surface such as a rug or carpet to avoid the parts from being scratched.
- Check to be sure that you have all parts and hardware.
- Remove all wrapping materials, including staples & packing straps before you start to assemble.
- Don't tighten all screws/bolts until all completely assembled.
- Keep all hardware parts out of reach of children
- If the product is not working properly, is missing a part, is damaged, or if you have any questions, please call customer service hotline before returning.
- Customer Service Hotline: 1-800-593-1888 For further assembly instructions, please visit our website at www.bossschair.com