


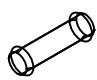

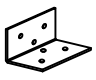

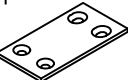




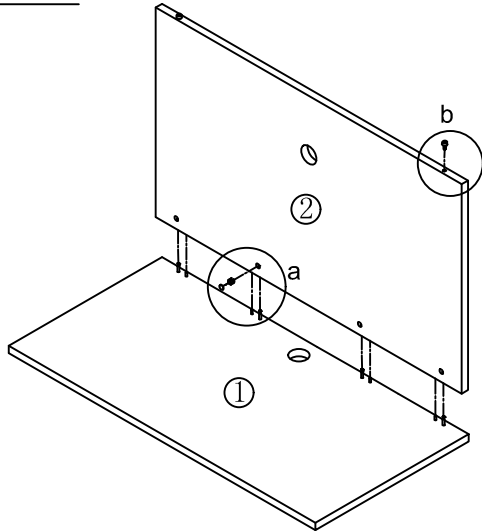
Assembly Instructions

MODEL NO.:N170

BRIDGE


TUN010CL	TUN010KL	TUN026	TUN021AG	TUN013LB	TUN018SC	TUN019IB	TUN015BG		
A  Cam lock 4Pcs+1Pc(spare)	B  Klix Cam 4Pcs+1Pc(spare)	C  Cam Cover 4Pcs+1Pc(spare)	D  Dowel 4Pcs+1Pc(spare)	E  Adjustable Glide 2 PCS	F  6Hole L-Bracket 2Pcs	G  screw#1* ^{3/8} 12Pcs+1Pc(spare)	H  I-Bracket 6Pcs	I  screw 24Pcs+1Pc(spare)	J  80mm Black Grommet 2 PCS

STEP1

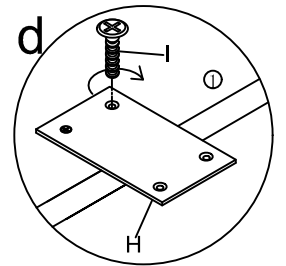
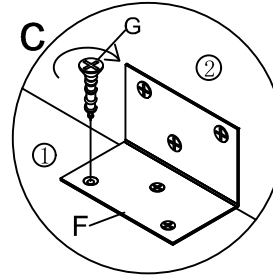
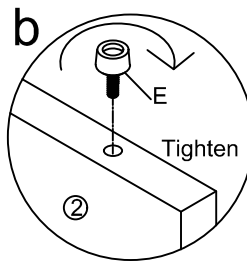
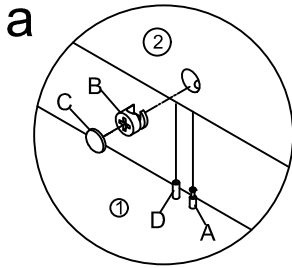
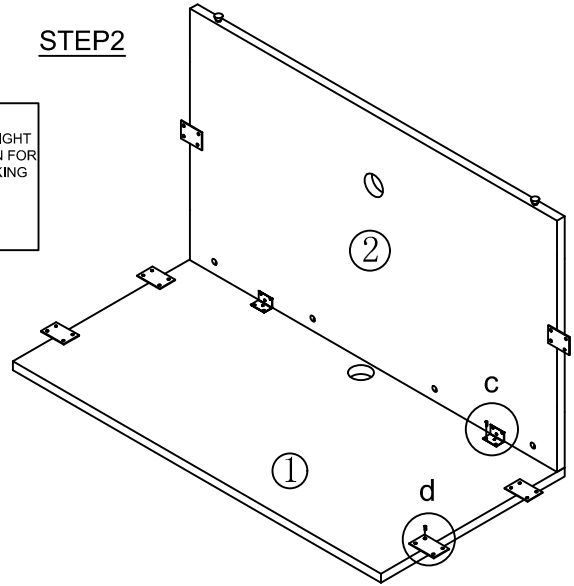


IMPORTANT:

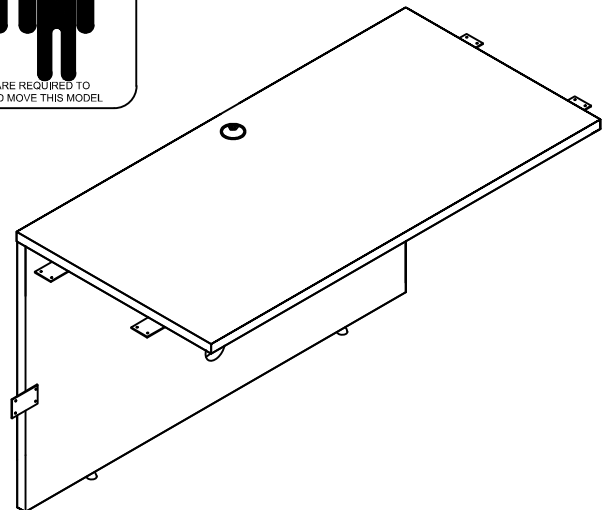
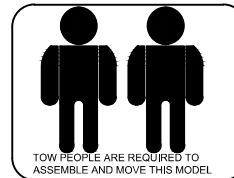
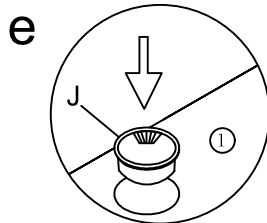
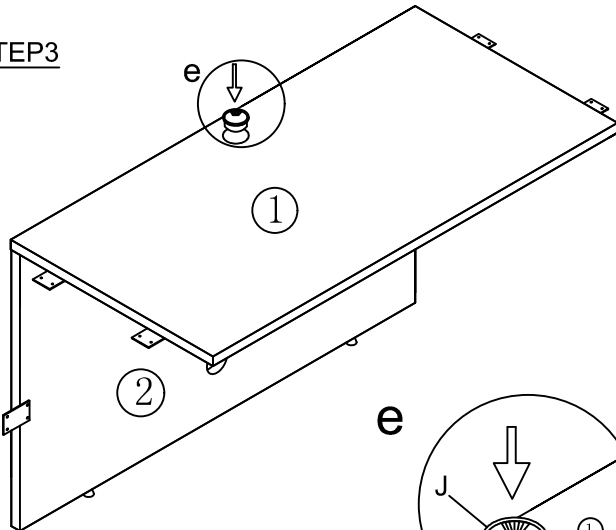
FUNCTION OF KLIX CAM

 1/4 RIGHT TURN FOR LOCKING
MAKE SURE THE ARROW IS POINTING UPWARDS BEFORE INSERTING INTO THE PANELS HOLE

STEP2



STEP3



COMPLETED ASSEMBLY

IMPORTANT NOTE:

- Place all laminated parts on a clean and smooth surface such as a rug or carpet to avoid the parts from being scratched.
- Check to be sure that you have all parts and hardware.
- Remove all wrapping materials, including staples & packing straps before you start to assemble.
- Don't tighten all screws/bolts until all completely assembled.
- Keep all hardware parts out of reach of children
- If the product is not working properly, is missing a part, is damaged, or if you have any questions, please call customer service hotline before returning.
- Customer Service Hotline: 1-800-593-1888 For further assembly instructions, please visit our website at www.boschair.com