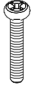





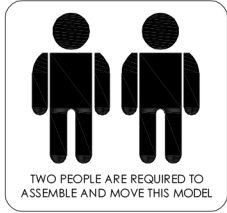
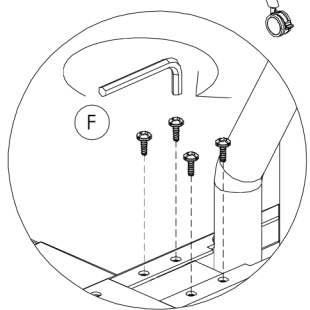
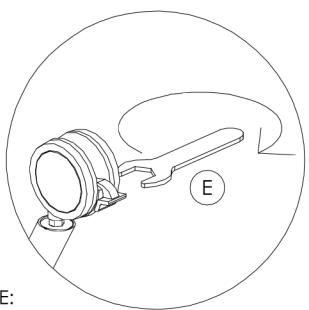
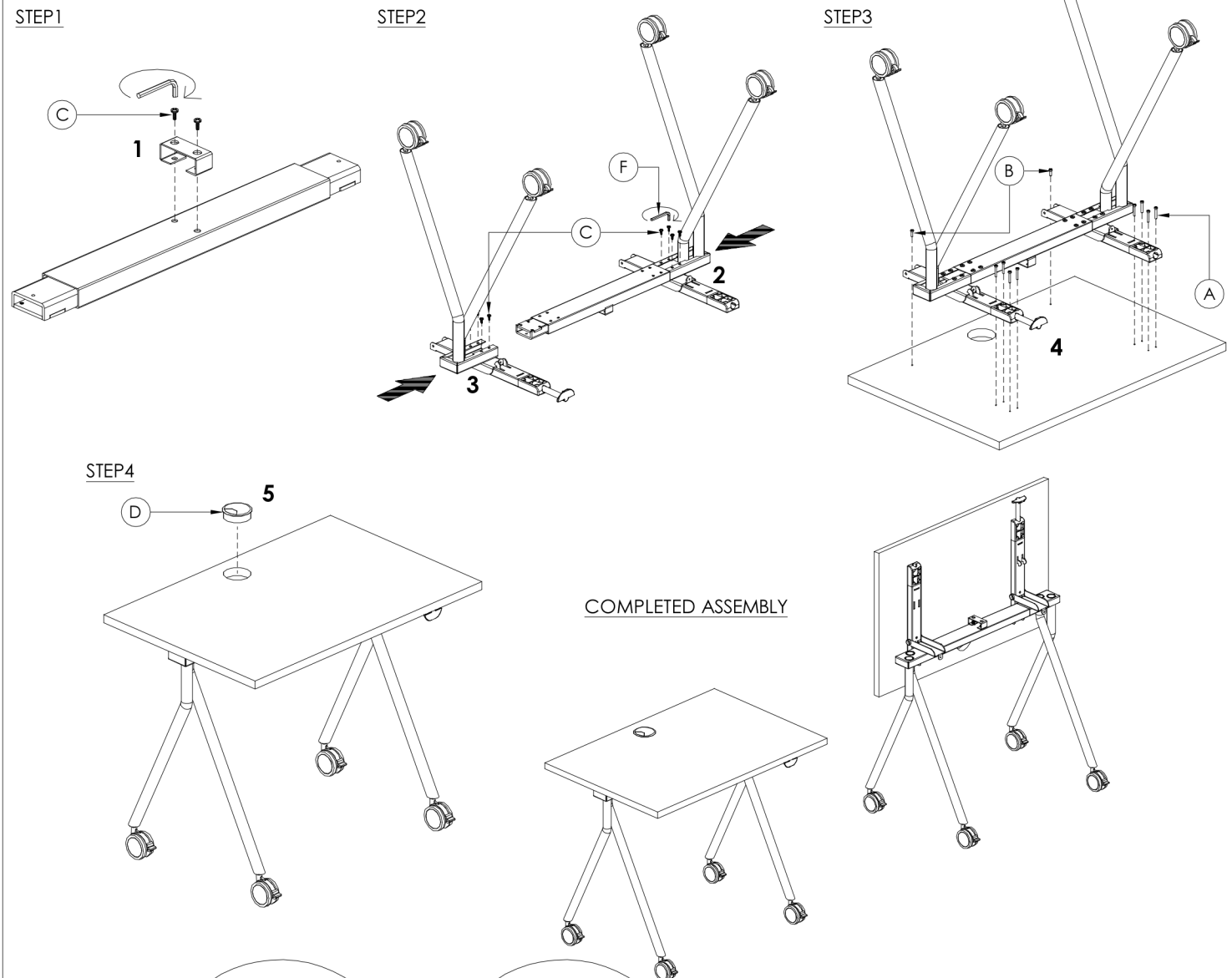


Assembly Instructions

FOLDING TABLE - NFT3624H / NFT4824H

A  S-PHM-M6X35 8PCS	B  S-PHM-M6X20 2PCS	C  BUTTON SOCKET HEAD CAP SCREW M6 x 16mm 10PCS	D  GRO-PLC-RD80 1PCS	E  WRENCH 1PCS	F  ALLEN KEY M4 1PCS
---	--	---	---	---	---



IMPORTANT NOTE:

Place all laminated parts on a clean and smooth surface such as a rug or carpet to avoid the parts from being scratched.
 Check to be sure that you have all parts and hardware.
 Remove all wrapping materials, including staples & packing straps before you start to assemble.
 Keep all hardware parts out of reach of children
 If the product is not working properly, is missing a part, is damaged, or if you have any questions, please call customer service hotline before returning.
 Customer Service Hotline: 03-33926888 For further assembly instructions, please visit our website at www.versalink.com