

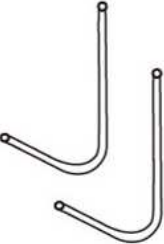


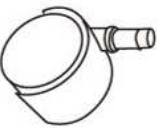
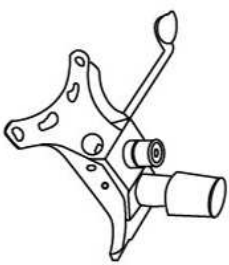

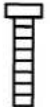



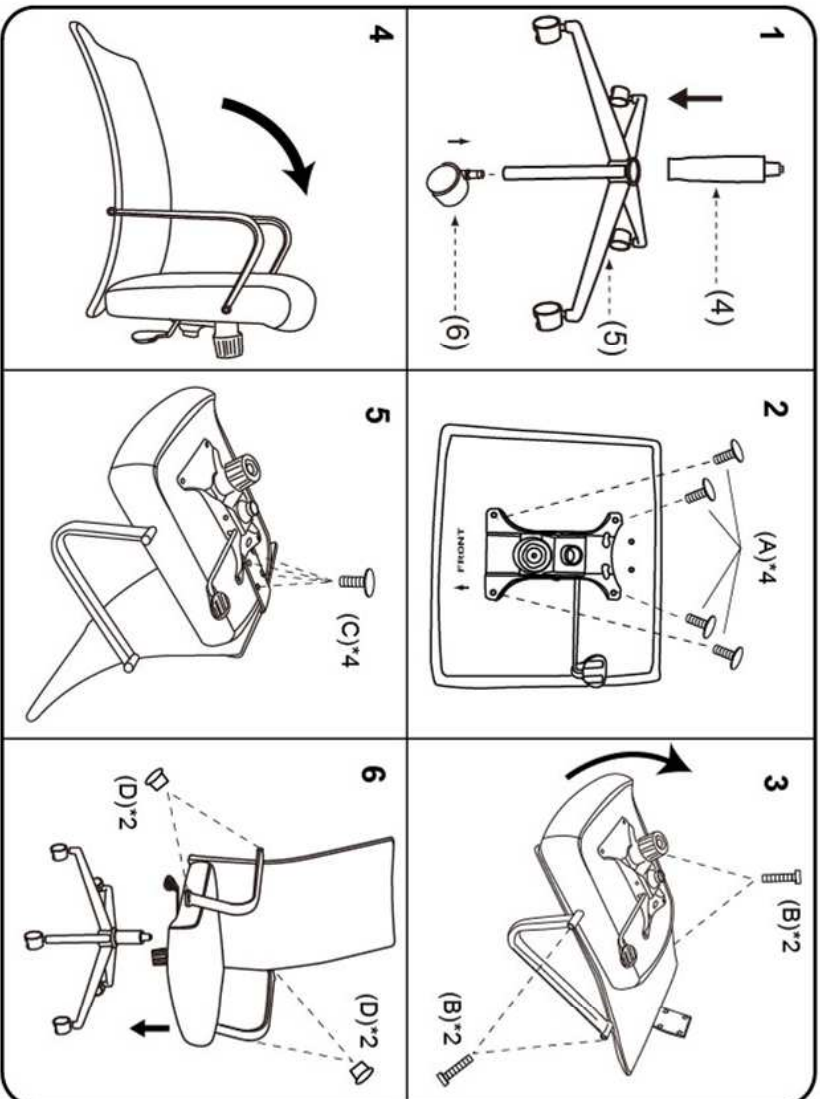


MODEL : B9661

(1)X1 BACK 	(2)X1 SEAT 	(3)X1 (L)X1 (R) ARM 
(4)X1 GAS LIFT 	(5)X1 BASE 	(6)X5 CASTERS 
 MECHANISM		

- (A)X4  M8*22 MECHANISM SCREW
- (B)X4  M8*45 ARM SCREW
- (C)X4  M6*30 L-BAR SCREW
- (D)X4  ARM CAPS
- (E)X1  ALLEN KEY



Note: Please tighten all arm screws using allen key before step 6

Insert and loosely tighten all screws. When assembly is completed, fully tighten all screws before using. This chair is only intended for sitting. Any other use will void the warranty.

