


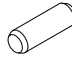

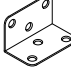



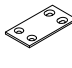


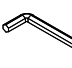


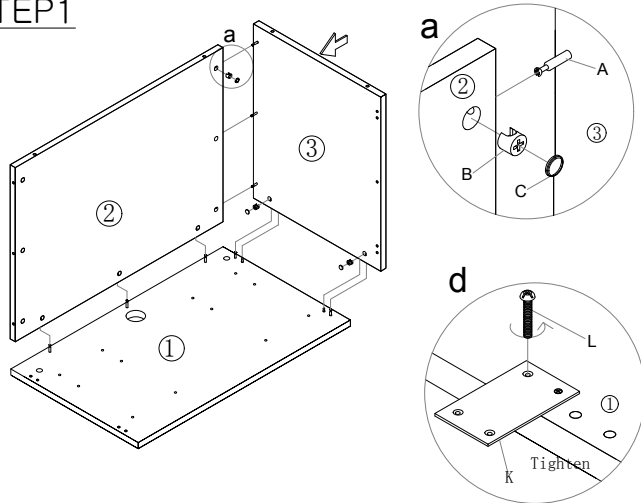
# Assembly Instructions

## MODEL NO. N245G

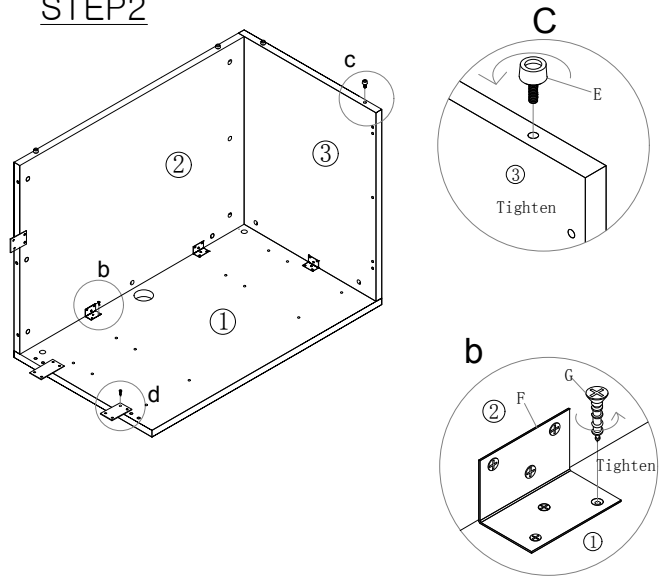
### GLAZED REVERSIBLE RECEPTION DESK RETURN

TUN010CL A	TUN011KC B	C	TUN026 D	TUN021AG E	TUN013LB F	TUN018SC G	TUN015BG H	J	K	L	M	N
												
Cam Lock 8Pcs=1Pc (square)	Klix Cam 8Pcs=1Pc (square)	Cam Cover 16Pcs=1Pc (square)	Dowel 6Pcs=1Pc (square)	Adjustable Glide 6Pcs	6616 L-Bracket 3Pcs	Screw #10 x 1/2 17Pcs=1Pc (square)	88mm Black Cover= 1 Pcs	Screw #10 x 40 6Set	L Bracket 3Pcs	Ø6 x 12 screw 12Pcs	I Set	IPcs

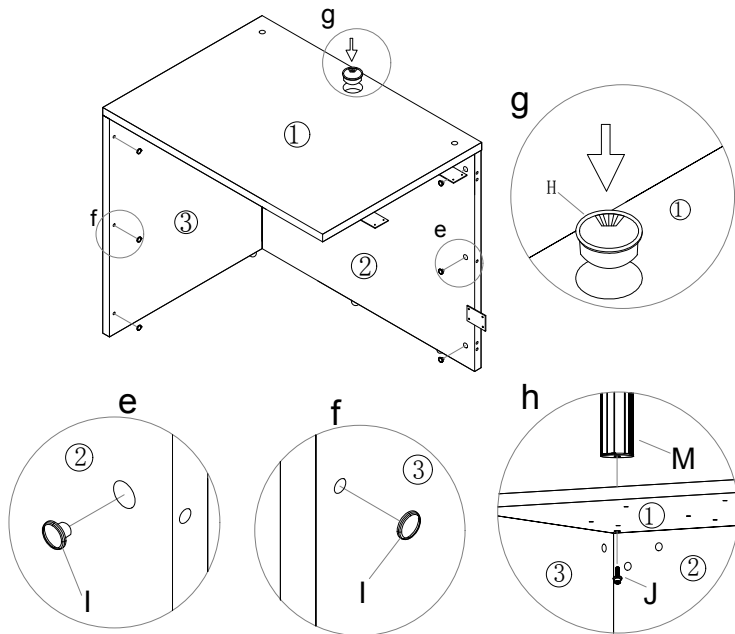
#### STEP 1



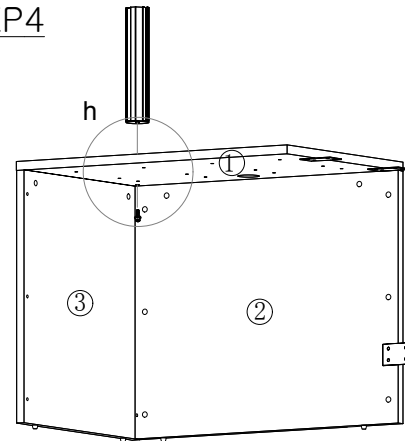
#### STEP 2



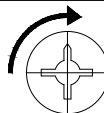
#### STEP 3



#### STEP 4



**IMPORTANT:  
FUNCTION OF KLIX CAM**



1/4 RIGHT  
TURN FOR  
LOCKING

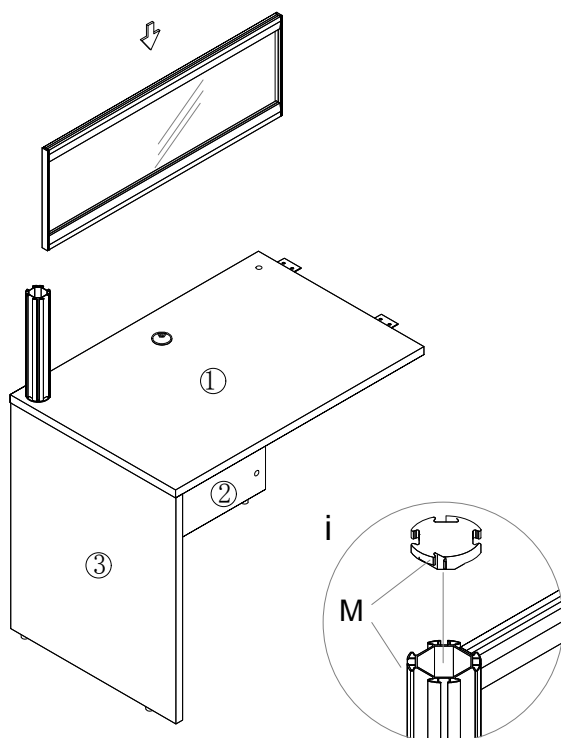
Make Sure The Arrow Is  
Pointing Upwards Before  
Inserting Into The Panel's Hole

#### IMPORTANT NOTE:

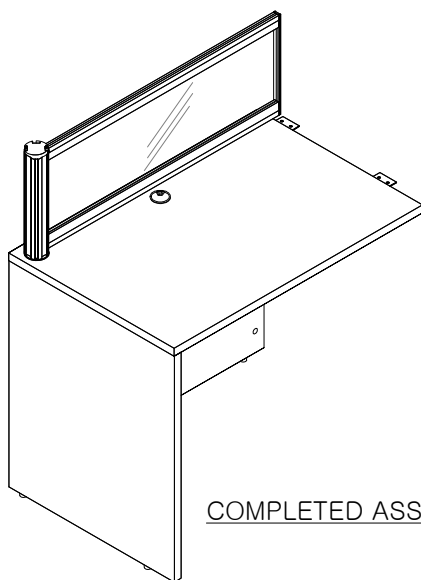
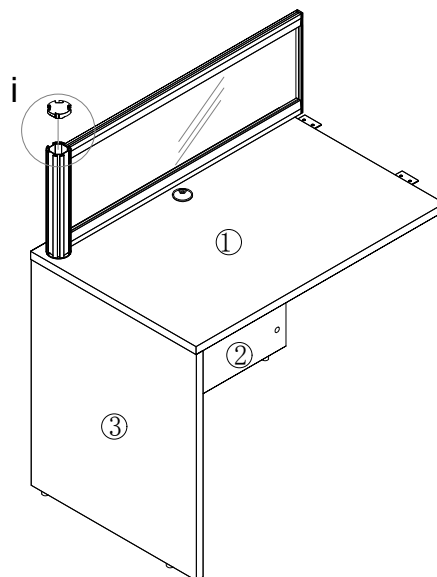
- Place all laminated parts on a clean and smooth surface such as a rug or carpet to avoid the parts from being scratched.
- Check to be sure that you have all parts and hardware.
- Remove all wrapping materials, including staples & packing straps before you start to assemble.
- Don't tighten all screws/bolts until all completely assembled.
- Keep all hardware parts out of reach of children
- If the product is not working properly, is missing a part, is damaged, or if you have any questions, please call customer service hotline before returning.
- Customer Service Hotline: 1-800-593-1888 For further assembly instructions, please visit our website at [www.bosschair.com](http://www.bosschair.com)

Assembly Instructions  
MODEL NO. N245G  
GLAZED REVERSIBLE RECEPTION DESK RETURN

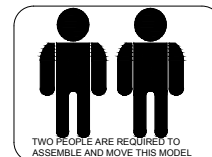
STEP 5



STEP 6



COMPLETED ASSEMBLY



**IMPORTANT NOTE:**

- Place all laminated parts on a clean and smooth surface such as a rug or carpet to avoid the parts from being scratched.
- Check to be sure that you have all parts and hardware.
- Remove all wrapping materials, including staples & packing straps before you start to assemble.
- Don't tighten all screws/bolts until all completely assembled.
- Keep all hardware parts out of reach of children
- If the product is not working properly, is missing a part, is damaged, or if you have any questions, please call customer service hotline before returning.
- Customer Service Hotline: 1-800-593-1888 For further assembly instructions, please visit our website at [www.bosschair.com](http://www.bosschair.com)