


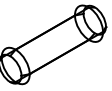

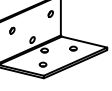

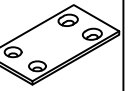




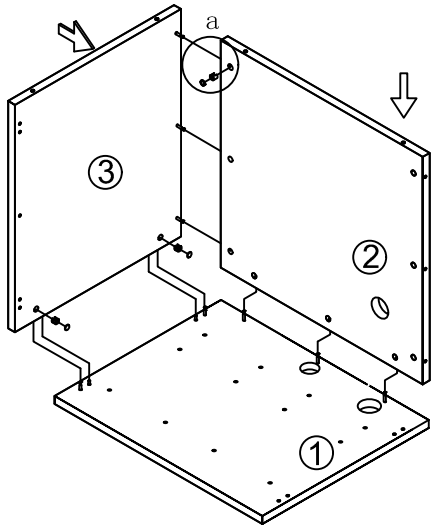
Assembly Instruxticions

MODEL NO.:N191

Return-Reversible


TUN010CL	TUN010KL	C	TUN026	TUN021AG	TUN013LB	TUN018SC	TUN0191B	I	TUN015BG
A 	B 		D 	E 	F 	G 	H 		L 
Cam lock 7Pcs+1Pc(spare)	Klix Cam 7Pcs+1Pc(spare)	Cam Cover 17Pcs+1Pc(spare)	Dowel 3Pcs+1Pc(spare)	Adjustable Glide 4 PCS	6Hole L-Bracket 3Pcs	screw#4*5/8" 18Pcs+1Pc(spare)	I-Bracket 3Pcs	screw 12+1PCS	80mm Black Grommet 2 PCS

STEP1



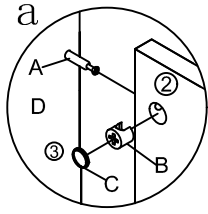
IMPORTANT:

FUNCTION OF KLIX CAM

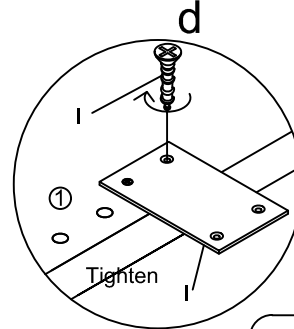
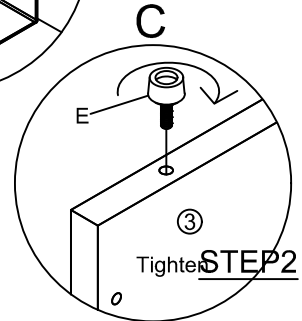
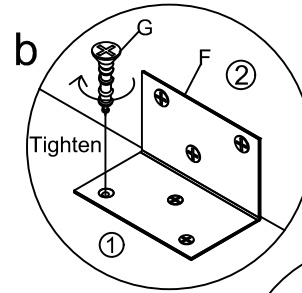
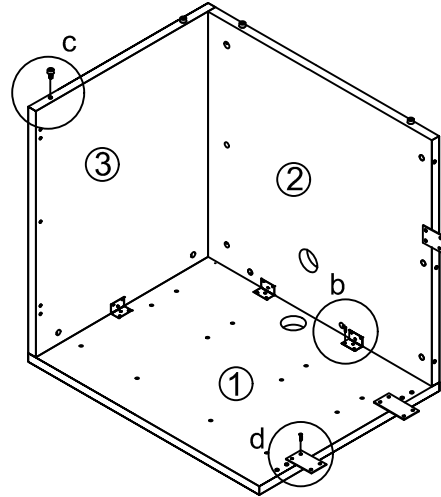


1/4 RIGHT
TURN FOR
LOCKING

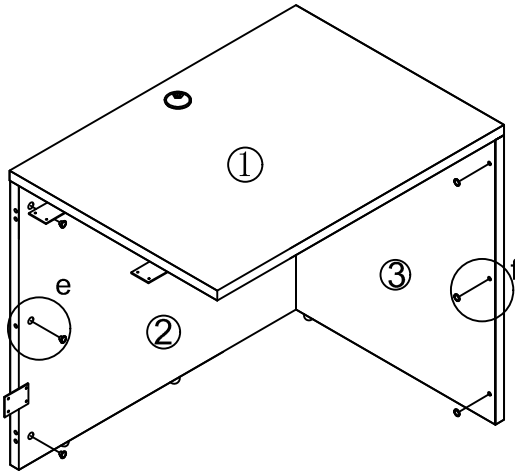
MAKE SURE THE ARROW IS
POINTING UPWARDS BEFORE
INSERTING INTO THE PANELS
HOLE



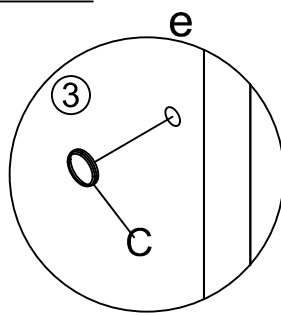
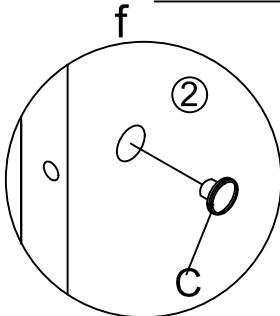
STEP2



STEP3



COMPLETED ASSEMBLY



IMPORTANT NOTE:

- Place all laminated parts on a clean and smooth surface such as a rug or carpet to avoid the parts from being scratched.
- Check to be sure that you have all parts and hardware.
- Remove all wrapping materials, including staples & packing straps before you start to assemble.
- Don't tighten all screws/bolts until all completely assembled.
- Keep all hardware parts out of reach of children
- If the product is not working properly, is missing a part, is damaged, or if you have any questions, please call customer service hotline before returning.
- Customer Service Hotline: 1-800-593-1888 For further assembly instructions, please visit our website at www.boschair.com