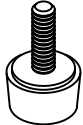
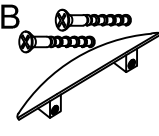
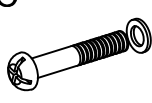
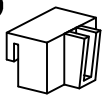
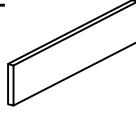

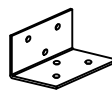



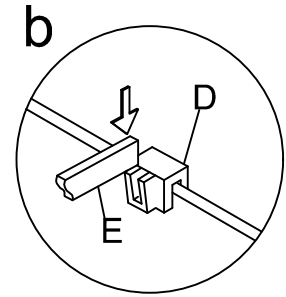
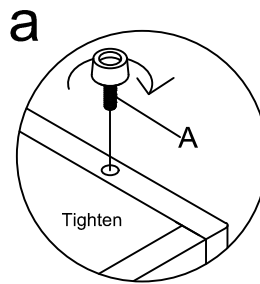
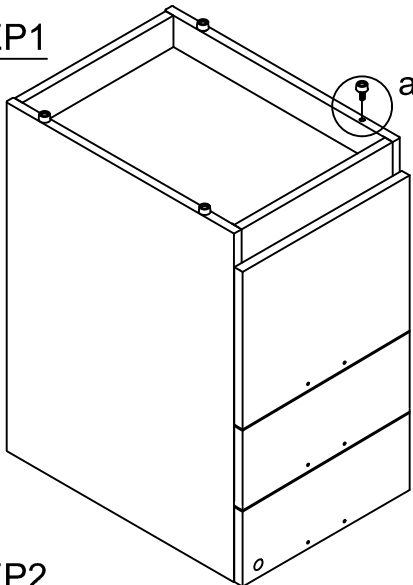
Assembly Instructions

MODEL NO.:NET166

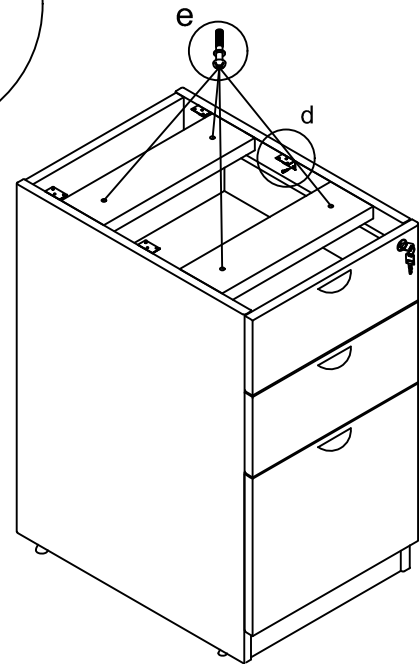
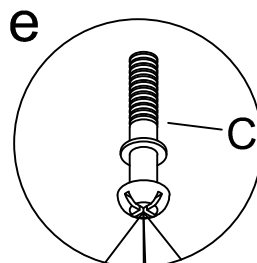
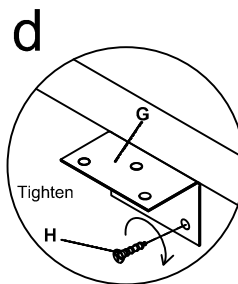
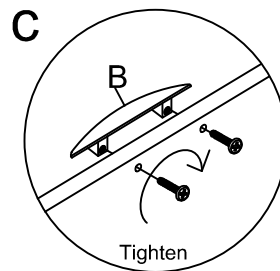
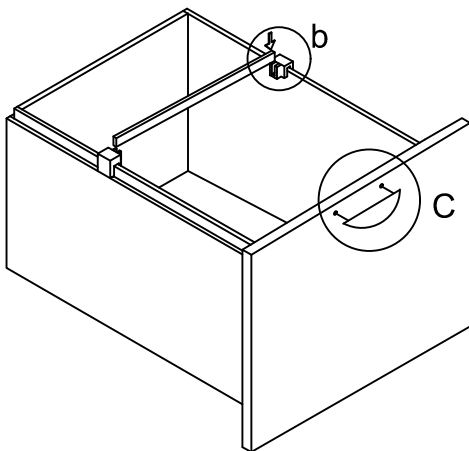
BOX/FILE PEDESTAL

TUN030AG	TUN005MH	TUN027SC	TUN001FC	TUN002AB		TUN013LB	TUN018SC
A  Adjustable Glide 4 Pcs	B  32mm Metal scallop shape Handle 3Sets	C  Screw M6×40mm 4sets	D  File clip 2Pcs	E  METAL BAR 1Pcs	F  Keys 1set	G  6Hole L-Bracket 4Pcs	H  Screw#4 24Pcs+1Pc(spare)

STEP1



STEP2



COMPLETED ASSEMBLY

IMPORTANT NOTE:

- Place all laminated parts on a clean and smooth surface such as a rug or carpet to avoid the parts from being scratched.
- Check to be sure that you have all parts and hardware.
- Remove all wrapping materials, including staples & packing straps before you start to assemble.
- Don't tighten all screws/bolts until all completely assembled.
- Keep all hardware parts out of reach of children
- If the product is not working properly, is missing a part, is damaged, or if you have any questions, please call customer service hotline before returning.
- Customer Service Hotline: 1-800-593-1888 For further assembly instructions, please visit our website at www.bosschair.com