


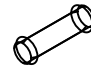
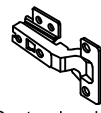
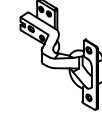






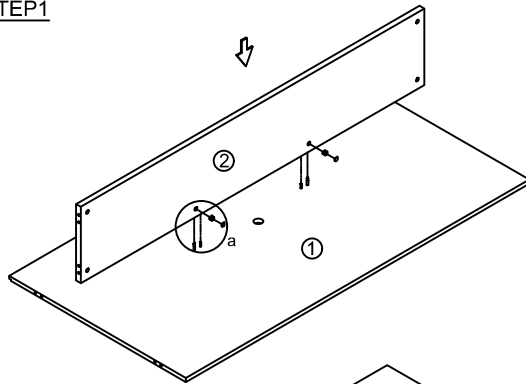
# Assembly Instructions

## MODEL NO.:N144

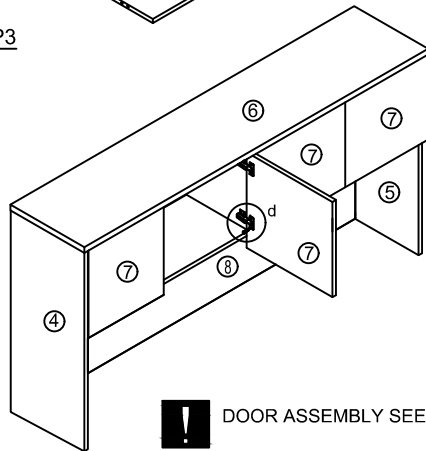
### HUTCH WITH DOORS

|  |  |   |   |   |  |   |   |   |   |
|--|--|---|---|---|--|---|---|---|---|
| TUX010CL   | TUX011KL   |   | TUN026  | TUN022DH  | TUN023DH   | TUN017SC  | TUN018SC  | TUN018SC  | TUN016BG  |
| <b>A</b><br><br>Cam lock<br>21Pcs+1pcs(spare) | <b>B</b><br><br>Klix Cam<br>21Pcs+1pcs(spare) | <b>C</b><br><br>Cam Cover<br>21Pcs+1pcs(spare) | <b>D</b><br><br>Dowel<br>18+1Pcs | <b>E</b><br><br>Center door hinge<br>4pcs | <b>F</b><br><br>Side Door Hinge<br>4pcs | <b>G</b><br><br>JCBC Black<br>Grommet 2+1pcs | <b>H</b><br><br>Screw #4* $\frac{5}{8}$ "<br>32Pcs+1Pcs(spare) | <b>I</b><br><br>Screw #4<br>tack board<br>9pcs+1pcs(spare) | <b>J</b><br><br>35mm Black<br>Grommet 1pcs |

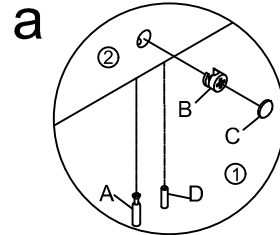
#### STEP1



#### STEP3



DOOR ASSEMBLY SEE PAGE THREE



IMPORTANT:

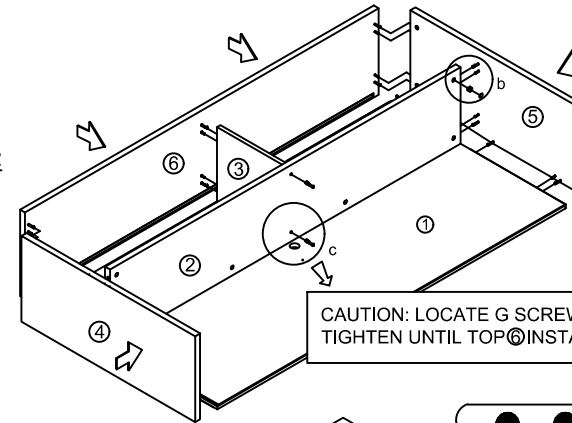
#### FUNCTION OF KLIX CAM



1/4 RIGHT  
TURN FOR  
LOCKING

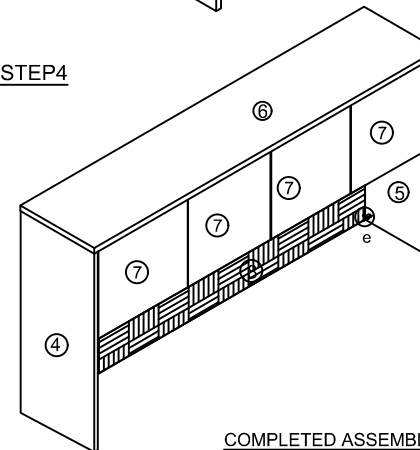
MAKE SURE THE ARROW IS  
POING UPWARDS BEFORE  
INSERTING INTO THE PANELS  
HOLE

#### STEP2

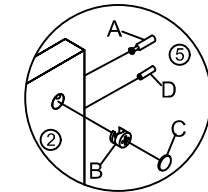


CAUTION: LOCATE G SCREW DO NOT  
TIGHTEN UNTIL TOP 6 INSTALLED

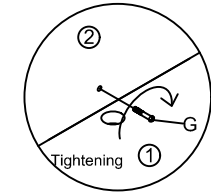
#### STEP4



COMPLETED ASSEMBLY



b



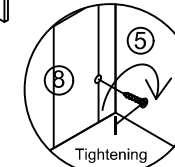
c

Tightening



TWO PEOPLE ARE REQUIRED TO  
ASSEMBLE AND MOVE THIS MODEL

e



Tightening

#### IMPORTANT NOTE:

- Place all laminated parts on a clean and smooth surface such as a rug or carpet to avoid the parts from being scratched.
- Check to be sure that you have all parts and hardware.
- Remove all wrapping materials, including staples & packing straps before you start to assemble.
- Don't tighten all screws/bolts until all completely assembled.
- Keep all hardware parts out of reach of children
- If the product is not working properly, is missing a part, is damaged, or if you have any questions, please call customer service hotline before returning.
- Customer Service Hotline: 1-800-593-1888 For further assembly instructions, please visit our website at [www.bossschair.com](http://www.bossschair.com)