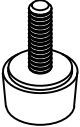
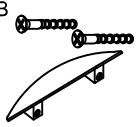
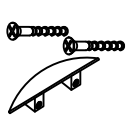
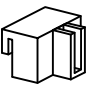

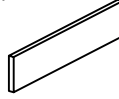
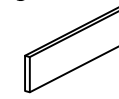



Assembly Instructions

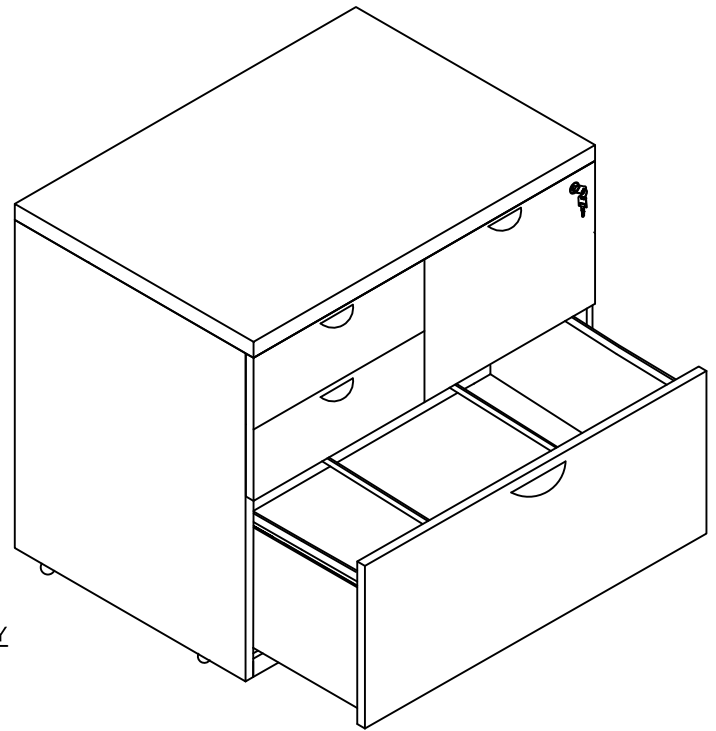
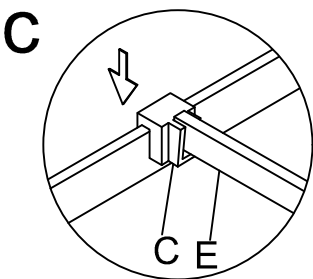
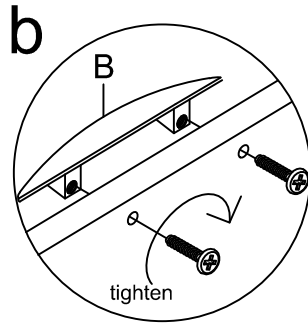
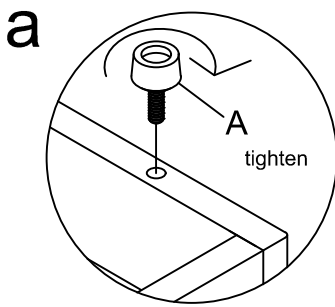
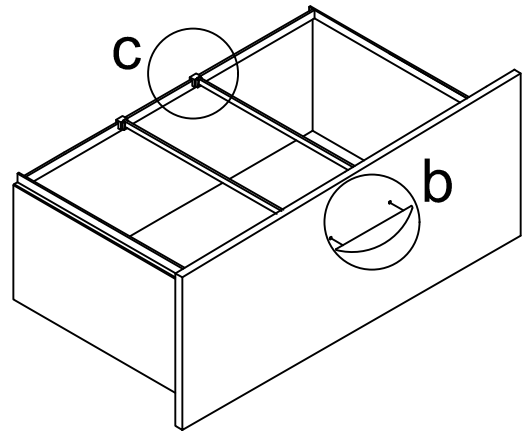
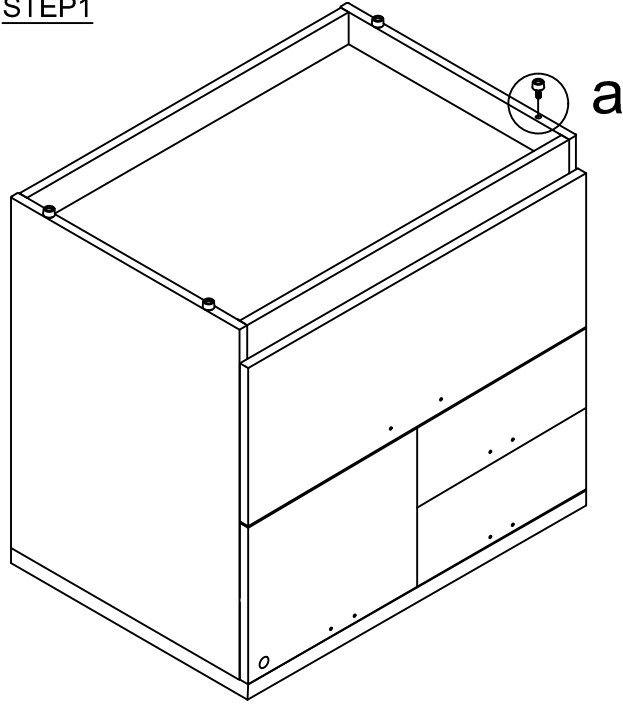
MODEL NO.:N114

4 DRAWER LATERAL FILE

TUN021AG	TUN006MH	TUN005MH	TUN001FC				
A 	B 	C 	D 	E 	F 	G 	H 
Adjustable Glide 4 PCS	96mm Metal Scallop shape Handle 1Set	32mm Metal Scallop shape Handle 3Set	File clip 8Pcs	675*16*3mm Aluminium Bar 1Pc	377*16*3mm Aluminium Bar 2Pcs	297*16*3mm Aluminium Bar 1Pc	Keys 1set

STEP1

STEP2



COMPLETED ASSEMBLY

IMPORTANT NOTE:

- Place all laminated parts on a clean and smooth surface such as a rug or carpet to avoid the parts from being scratched.
- Check to be sure that you have all parts and hardware.
- Remove all wrapping materials, including staples & packing straps before you start to assemble.
- Don't tighten all screws/bolts until all completely assembled.
- Keep all hardware parts out of reach of children
- If the product is not working properly, is missing a part, is damaged, or if you have any questions, please call customer service hotline before returning.
- Customer Service Hotline: 1-800-593-1888 For further assembly instructions, please visit our website at www.boschair.com