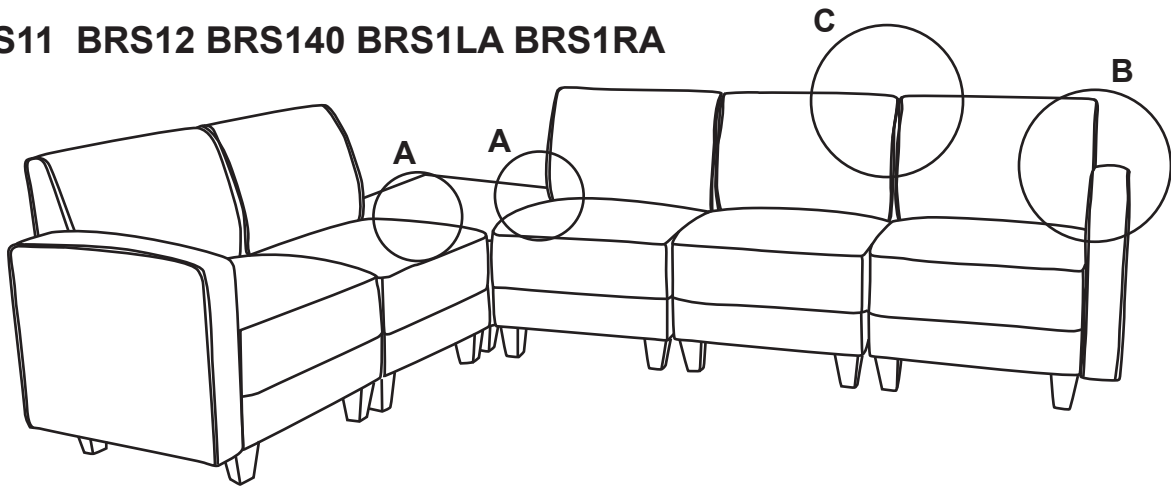
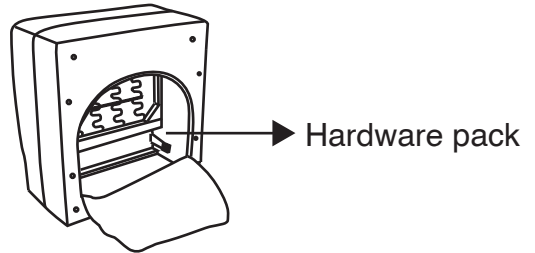


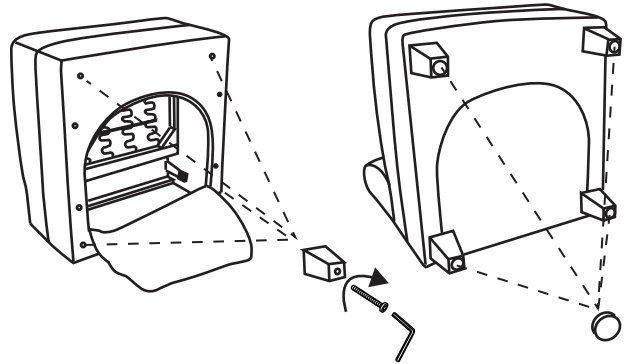
BRS11 BRS12 BRS140 BRS1LA BRS1RA



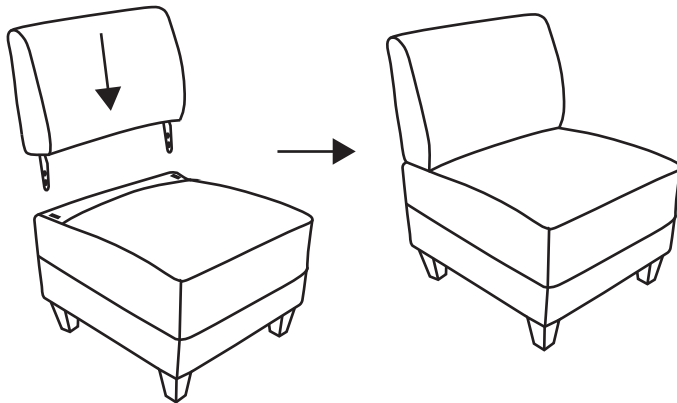
Remove legs and hardware from zipper enclosure below cushion



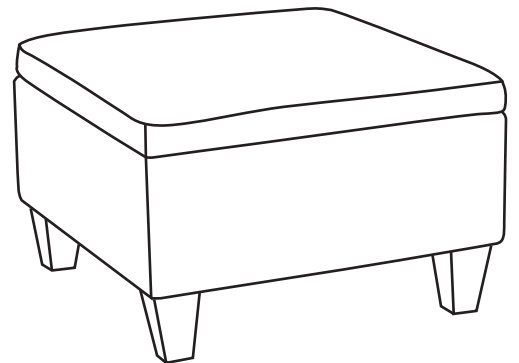
Use allen key to tighten legs, insert caps and zip close bottom



Insert bayonets into slots on top side of cushion until they lock into place

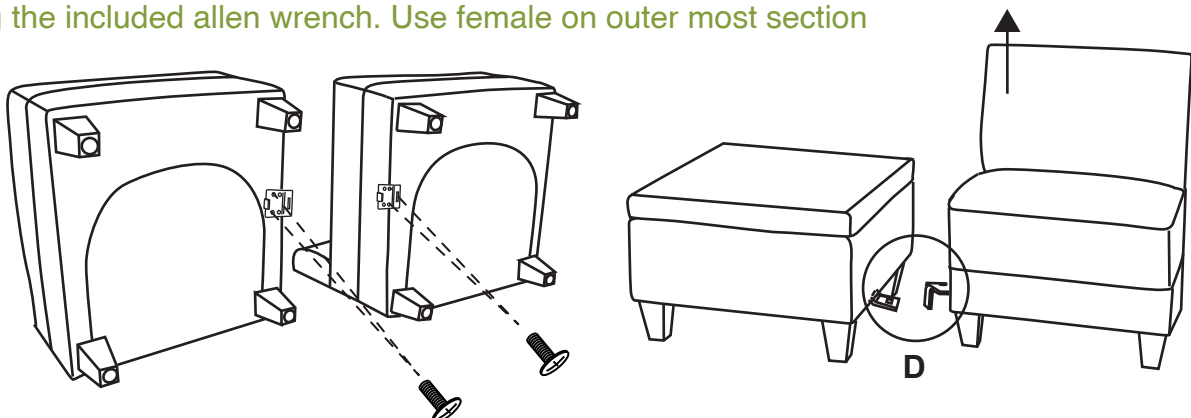


The reversible ottoman top can be flipped to use as a table



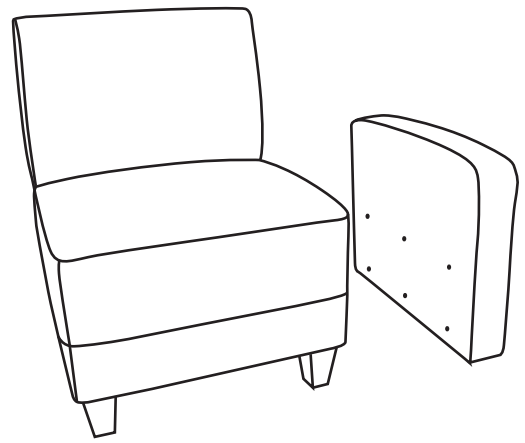
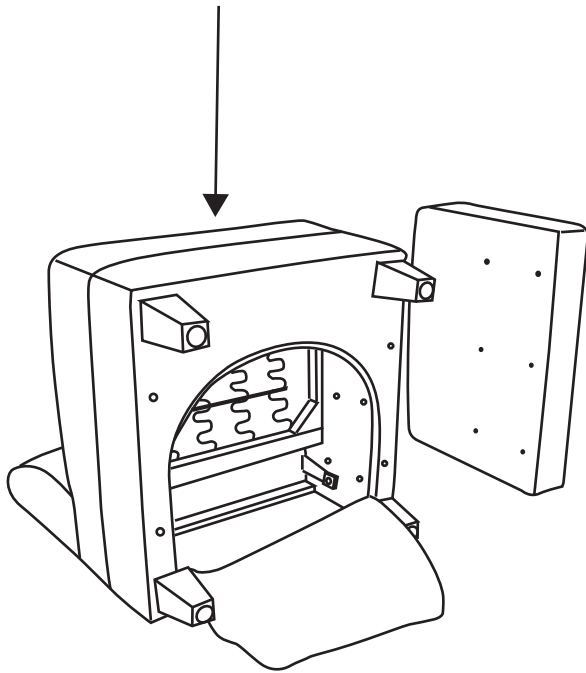
Option A:

Optional ganging clamps should be attached with screws to T-nuts under sectional using the included allen wrench. Use female on outer most section

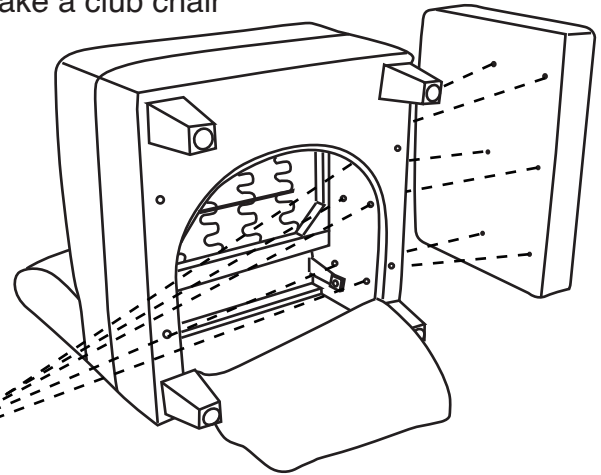


Option B:

Unzip bottom. Lay sectional on back and line up holes with T-nuts on optional arm

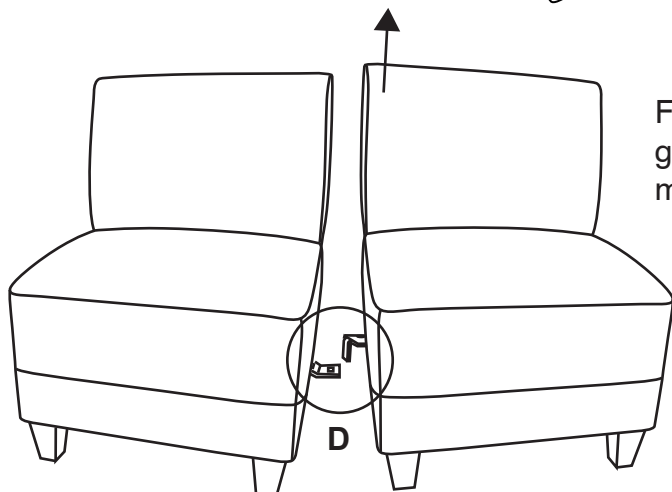
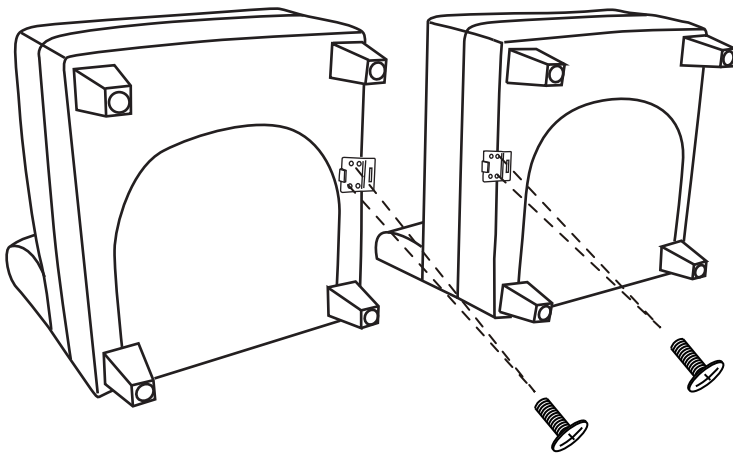


Loosely tighten all screws with included allen wrench and then tighten. Arms can be attached to either side or both to make a club chair



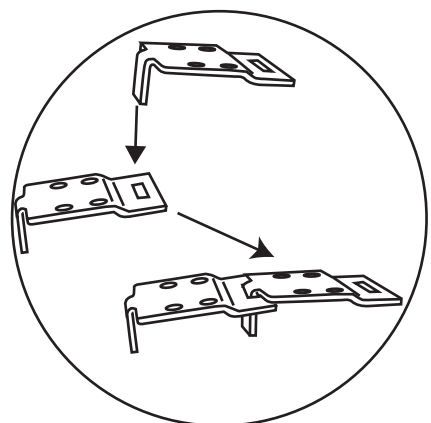
Option C:

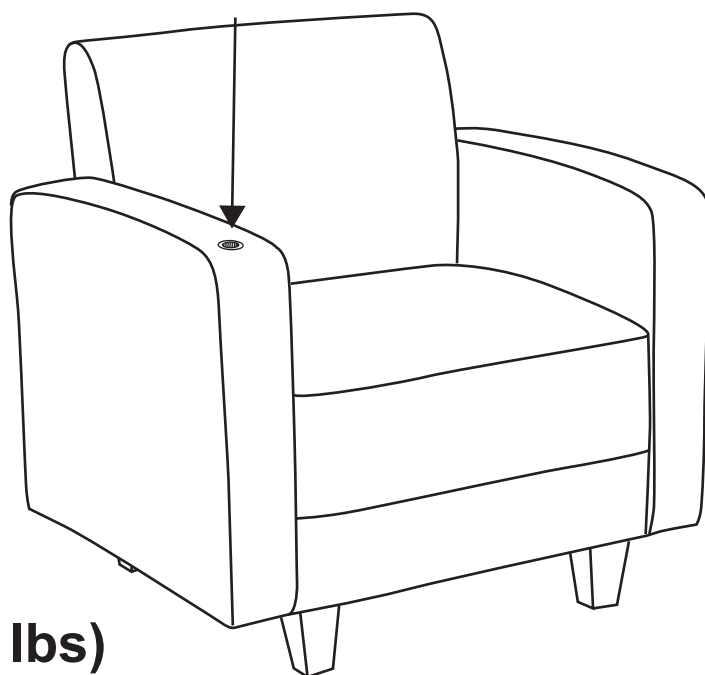
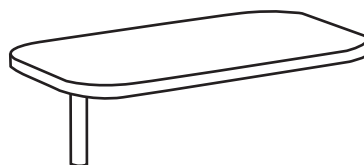
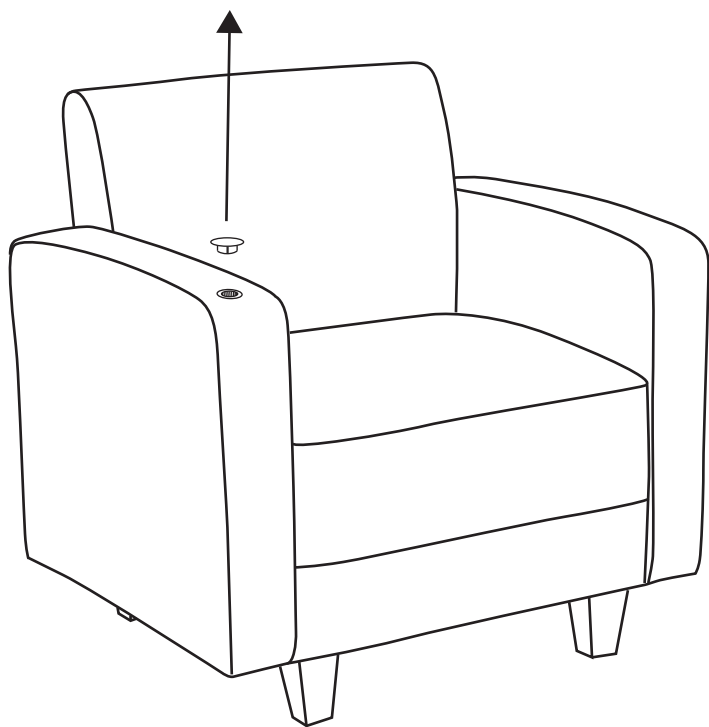
Optional ganging clamps should be attached with screws to T-nuts under sectional using the included allen wrench. Use female on outer most section



Female should go on outer most section

D





WEIGHT LIMIT: 15 kgs (33 lbs)

