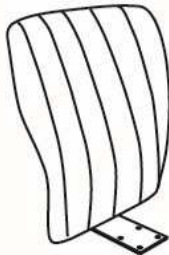

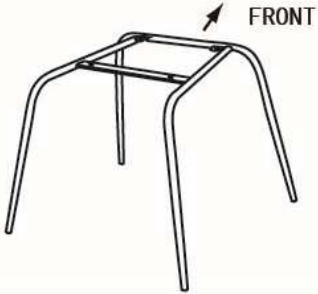
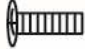
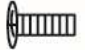
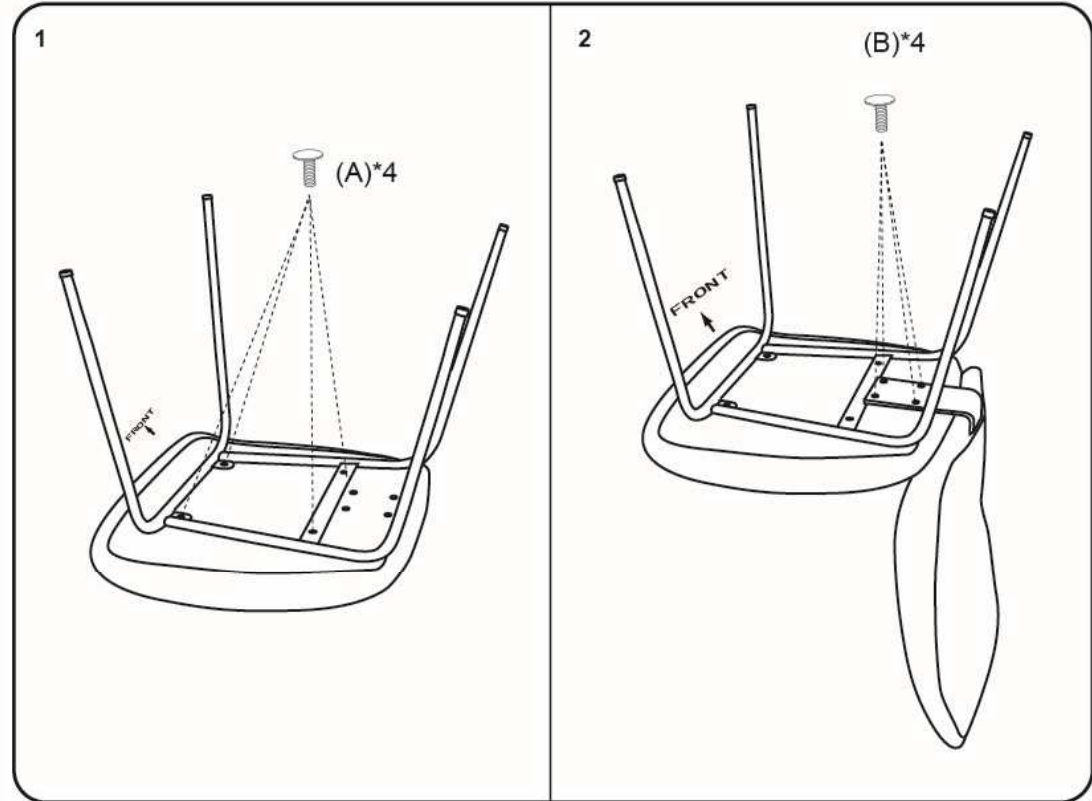


**IMPORTANT NOTICE:
HARDWARE PACKAGE IS ATTACHED
ON THE BOTTOM OF SEAT CUSHION.**

MODEL : B369

| | |
|---|---|
| (1)x1 | (2)x1 |
|  |  |
| (3)x1 | |
|  | |
| <p>(A)x4  M6*22 SLED BASE SCREW</p> <p>(B)x4  M6*30 L-BAR SCREW</p> | |



Insert and loosely tighten all screws. When assembly is completed, fully tighten all screws before using. This chair is only intended for sitting. Any other use will void the warranty.

