





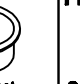
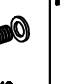



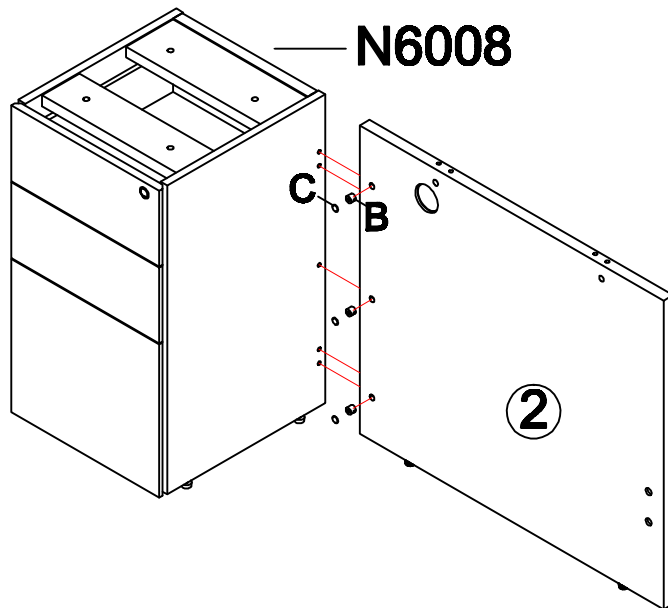


Assembly Instructions MODEL NO. N6007-N6008

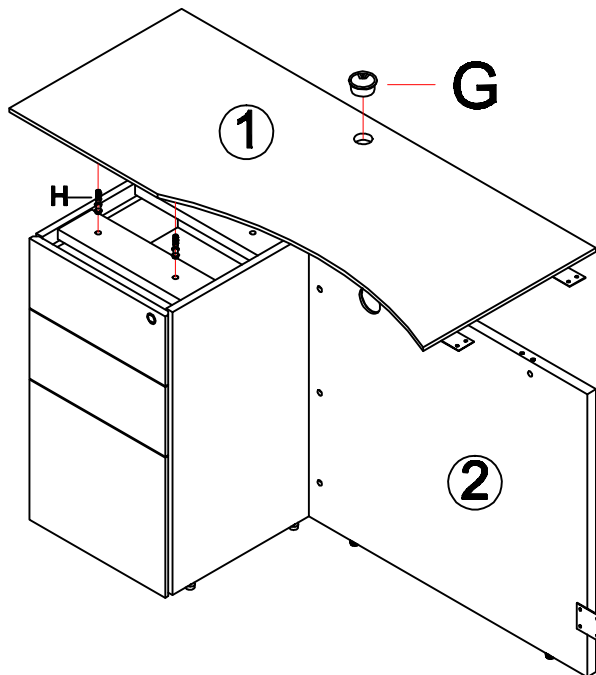
KD

A	B	C	D	E	F	G	H	I
								
Cam lock 8Pcs+1Pc	Kix Cam 5Pcs+1Pc	Cam Cover 5Pcs+1Pc	Dowel 4Pcs+1Pc	Adjustable Glide 6Pcs	4-Hole Plate 3Set	Grommet 2Pcs	Screw M5 X 40mm 4sets	File clip 2Pcs
J	K							
								
287*16*3METAL BAR 1Pcs	Keys 1set							

STEP1



STEP2



IMPORTANT NOTE:

- Place all laminated parts on a clean and smooth surface such as a rug or carpet to avoid the parts from being scratched.
- Check to be sure that you have all parts and hardware.
- Remove all wrapping materials, including staples & packing straps before you start to assemble.
- Don't tighten all screws/bolts until all completely assembled.
- Keep all hardware parts out of reach of children