


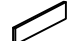

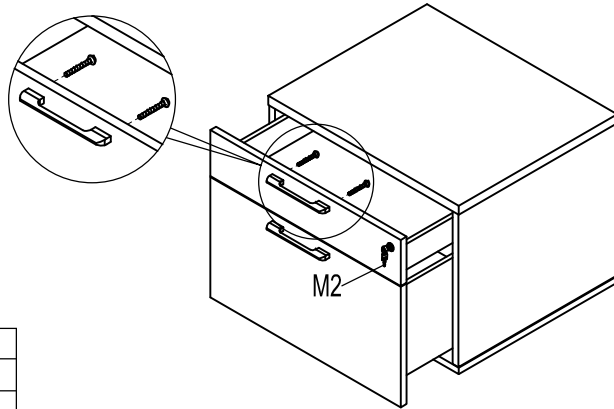


Assembly Instructions

MODEL NO.:S501

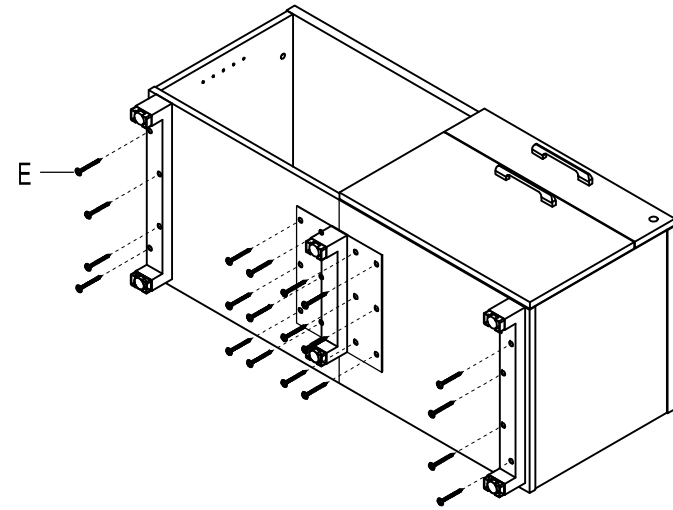
E  M4*19 21PCS	P  5PCS	D2  2PCS	E2  1PCS	M2  1SET
--	--	---	---	---

1

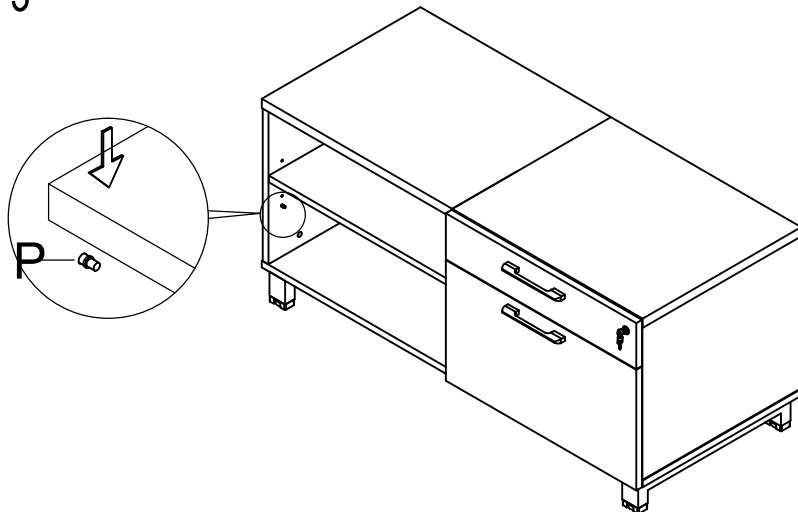


Carton	Item info.
1/2	Bookcase
2/2	BF box/File

2



3



4

