





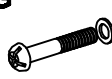

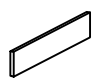

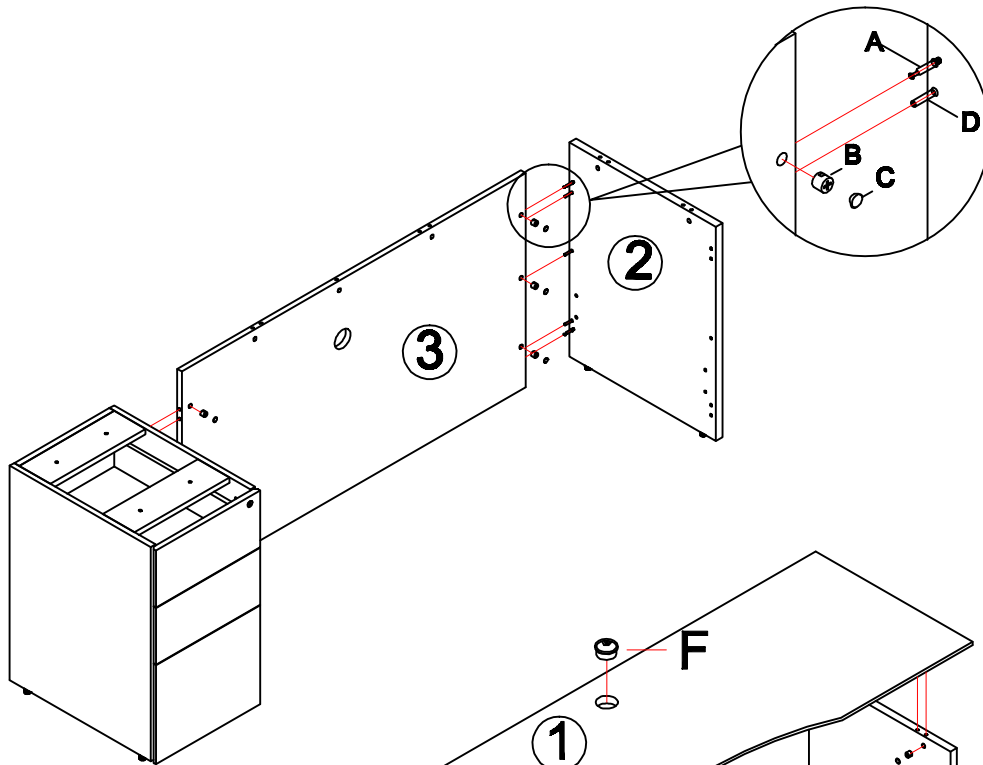


Assembly Instructions MODEL NO. N6003 & N6005

KD

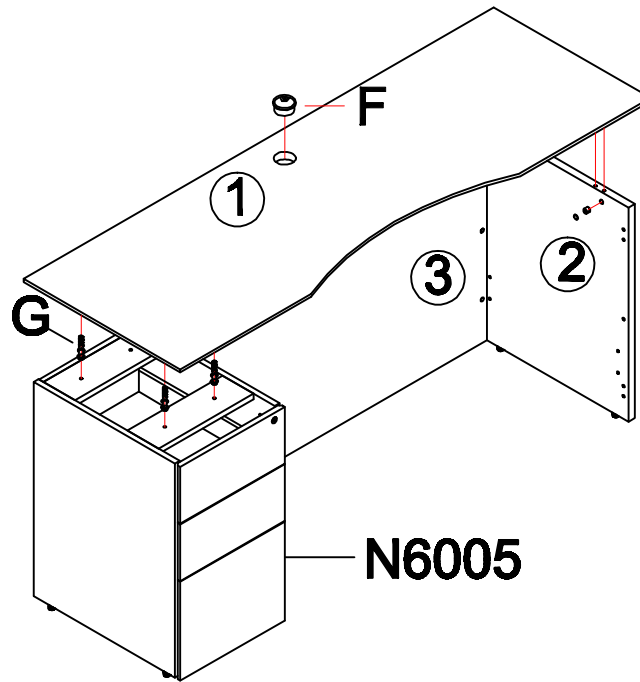
A		B		C		D		E		F		G		H		I	
	Cam lock 11Pcs+1Pc		Kibx Cam 11Pcs+1Pc		Cam Cover 11Pcs+1Pc		Dowel 8Pcs+1Pc		Adjustable Glide 6Pcs		Grommet 2Pcs		Screw M6 X 40mm 4sets		File clip 2Pcs		257*16*3METAL BAR 1Pcs
J																	
																	
	Keys 1set																

STEP1



N6005

STEP2



N6005

IMPORTANT NOTE:

- Place all laminated parts on a clean and smooth surface such as a rug or carpet to avoid the parts from being scratched.
- Check to be sure that you have all parts and hardware.
- Remove all wrapping materials, including staples & packing straps before you start to assemble.
- Don't tighten all screws/bolts until all completely assembled.
- Keep all hardware parts out of reach of children