

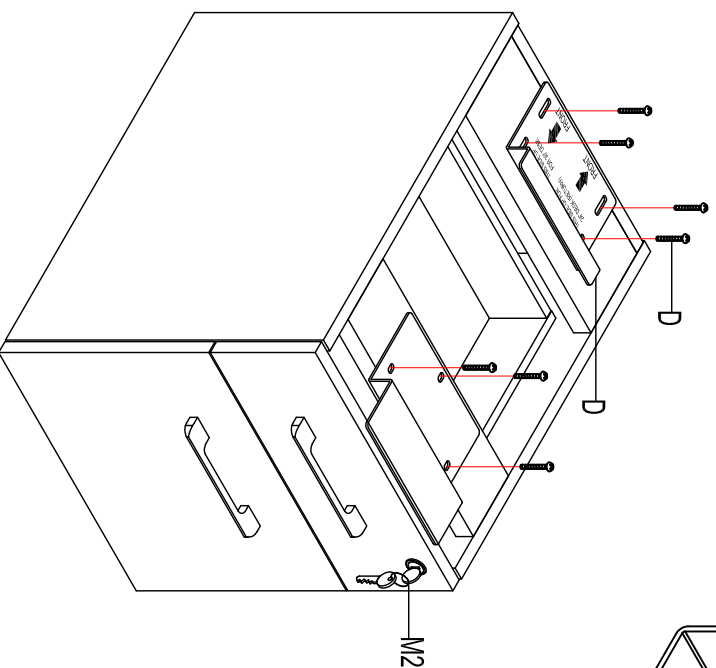
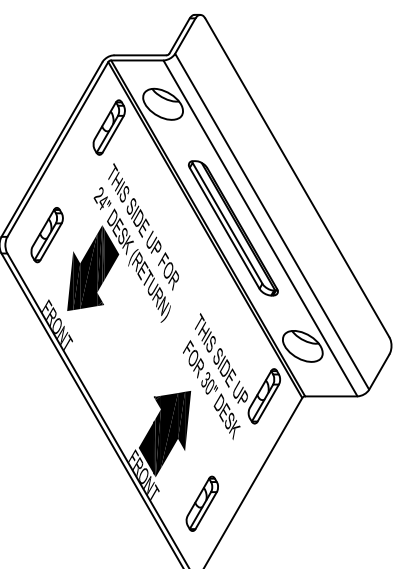


Assembly Instructions
MODEL NO.: S503

 D 2SET	 M2 1SET
---	---

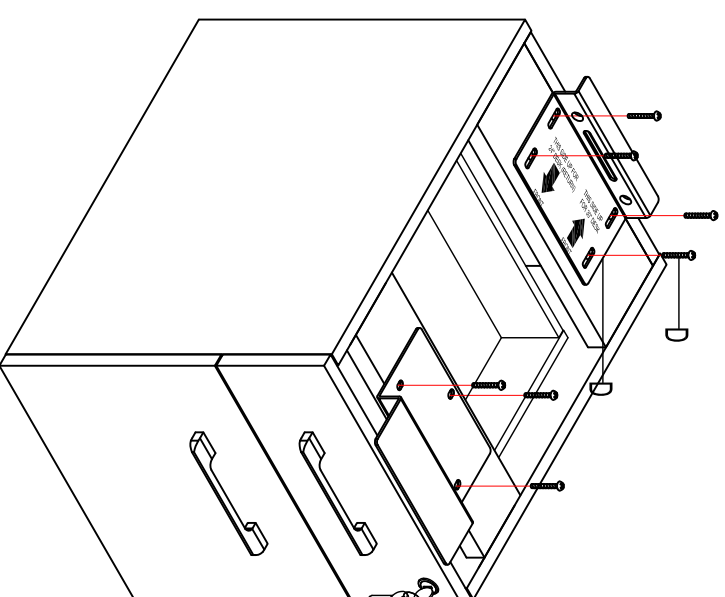
Option 1: For 30" Width desk
Go with support bar S205



Note:
Do not tight screws until is mounted on desk/return.

4-Hole plate: inward

Option 2: For 24" Width desk and return



4-Hole plate: outward