

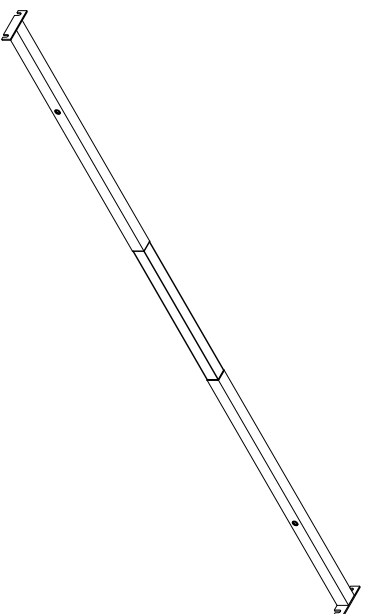


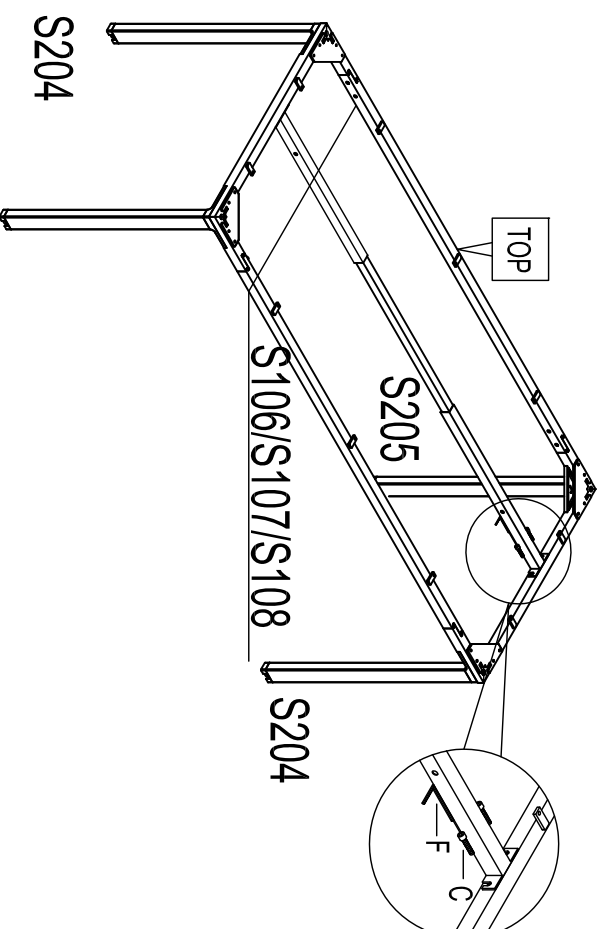
Assembly Instructions  
MODEL NO.:S205

F	C
	
1PCS	M8*20 5PCS

1



2



MODEL NO.:S205

S205 support iron bar(length adjustable)

only use for 30" width desk, match with Ped S503