







# Assembly Instructions MODEL NO.:N200

## KEYBOARD TRAY

TUN010CL	TUN011KC			
<b>A</b>  Cam LOCK 2PCS	<b>B</b>  Klix Cam 2PCS	<b>C</b>  Dowel 3PCS	<b>D</b>  Slide 1Set	<b>E</b>  Screw #3*12 12Pcs

**IMPORTANT:**

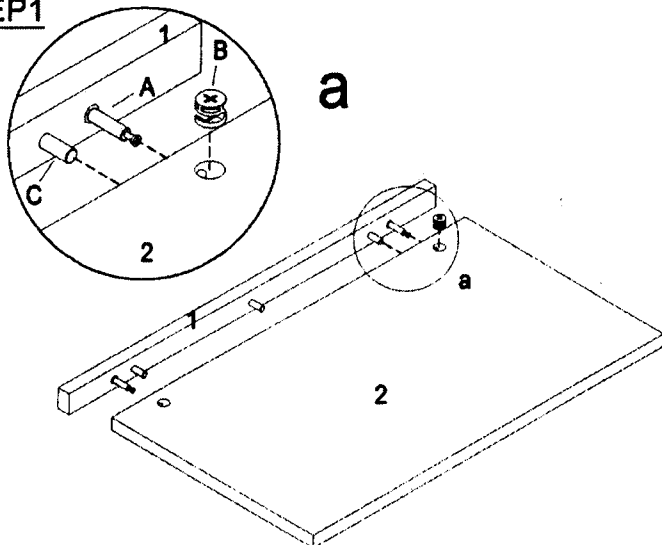
**FUNCTION OF KLIX CAM**



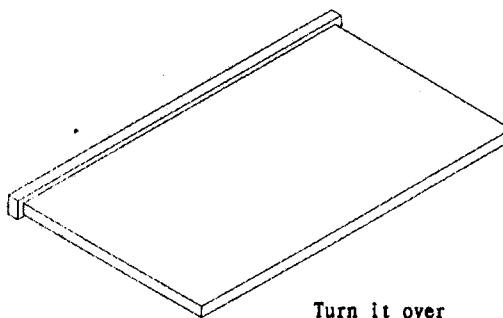
1/4 RIGHT  
TURN FOR  
LOCKING

MAKE SURE THE ARROW IS  
POINTING UPWARDS  
BEFORE INSERTING INTO  
THE PANEL'S HOLE.

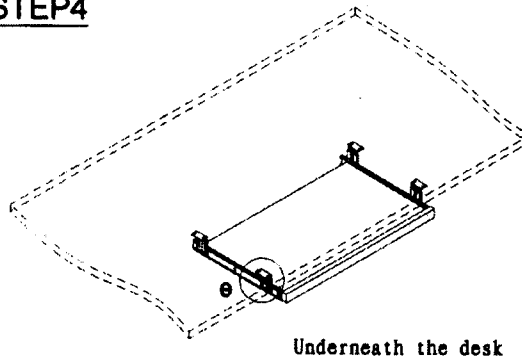
**STEP1**



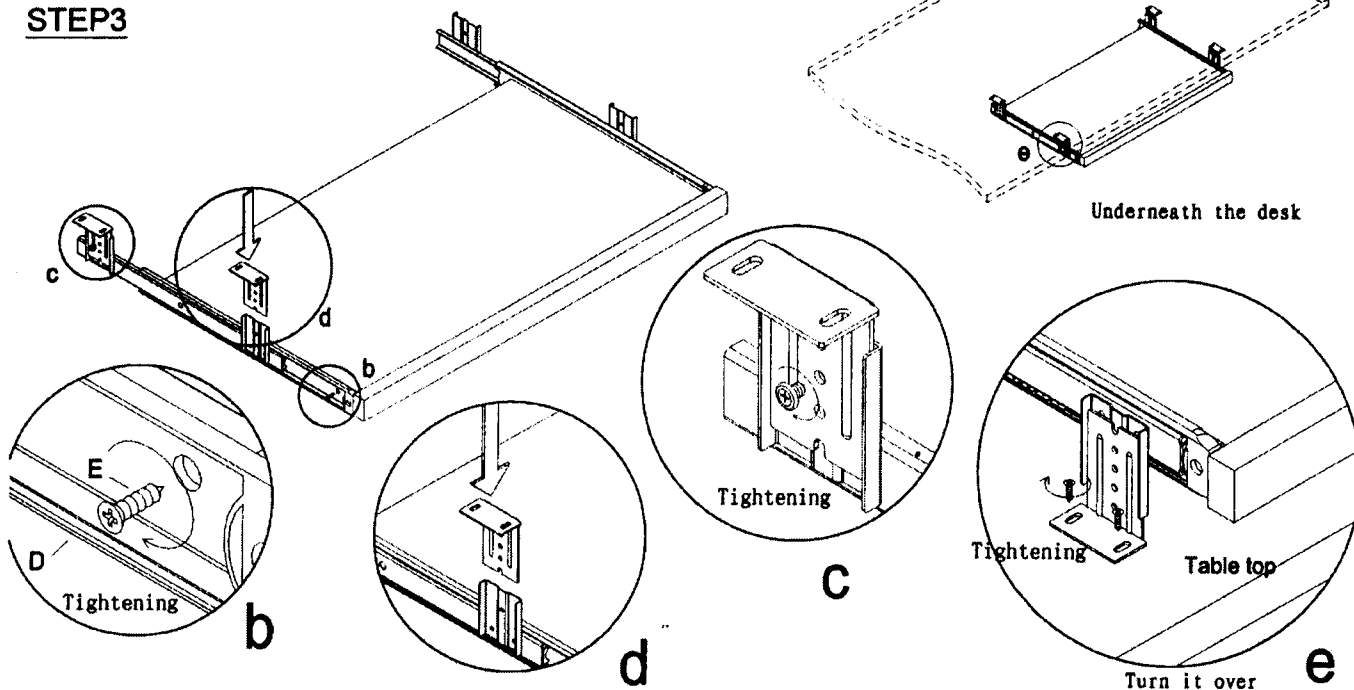
**STEP2**



**STEP4**



**STEP3**



**IMPORTANT NOTE:**

- Place all laminated parts on a clean and smooth surface such as a rug or carpet to avoid the parts from being scratched.
- Check to be sure that you have all parts and hardware.
- Remove all wrapping materials, including staples & packing straps before you start to assemble.
- Don't tighten all screws/bolts until all completely assembled.
- Keep all hardware parts out of reach of children.