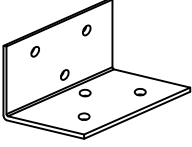


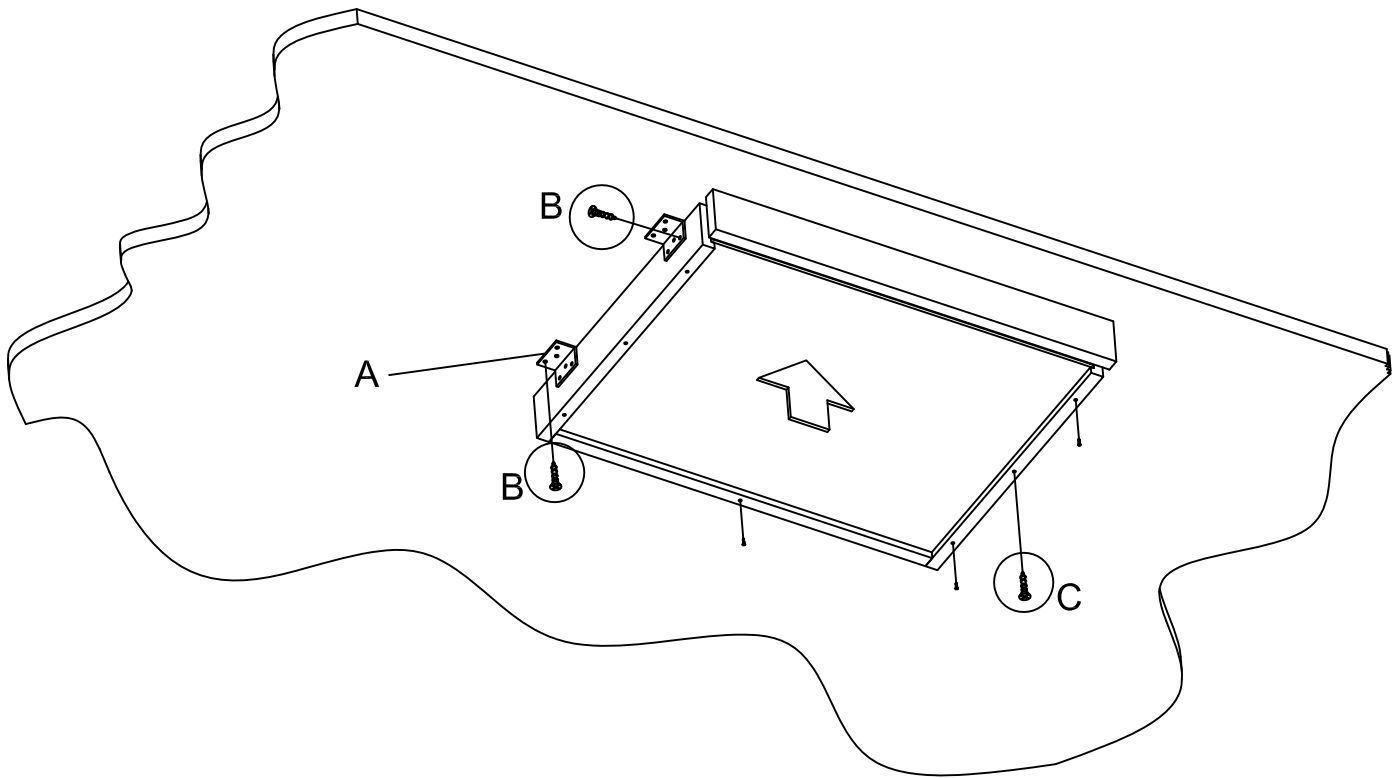


Assembly Instructions

MODEL NO.:N185

Centre Drawer

TUN013LB6	TUN018SC	TUN057SC
A  4Hole L-Bracket 4Pcs	B  ScrewØ4X16 24Pcs+1Pc(spare)	C  ScrewØ4X55 7Pcs+1Pc(spare)



COMPLETED ASSEMBLY

IMPORTANT NOTE:

- Place all laminated parts on a clean and smooth surface such as a rug or carpet to avoid the parts from being scratched.
- Check to be sure that you have all parts and hardware.
- Remove all wrapping materials, including staples & packing straps before you start to assemble.
- Don't tighten all screws/bolts until all completely assembled.
- Keep all hardware parts out of reach of children