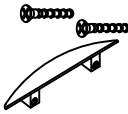
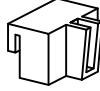
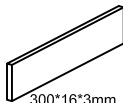


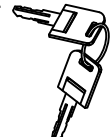


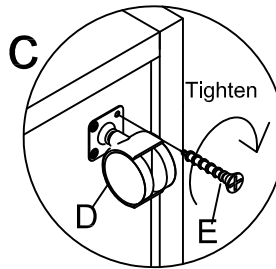
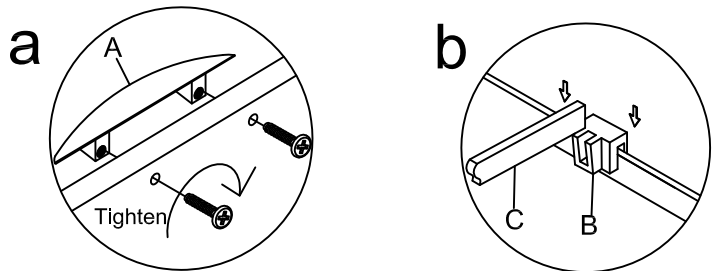
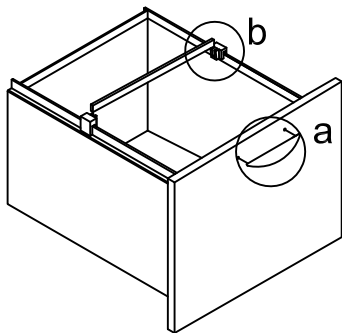
# Assembly Instructions

# MODEL NO.:N148

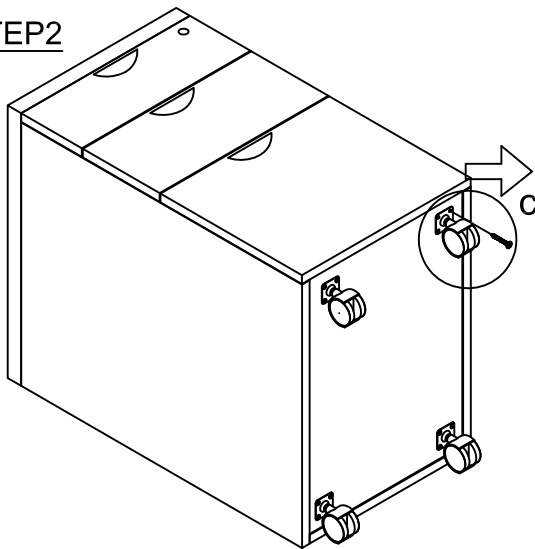
## MOBILE PEDESTAL

TUN005MH	TUN001FC	TUN002AB	TUN049CT	TUN018SC	
<b>A</b>  32mm Metal Scallop shape Handle 3set	<b>B</b>  File clip 2Pcs	<b>C</b>  300*16*3mm Aluminium Bar 1Pcs	<b>D</b>  4Pcs	<b>E</b>  Screw #4*5/8" 16Pcs+1Pc(spare)	<b>F</b>  Keys 1set

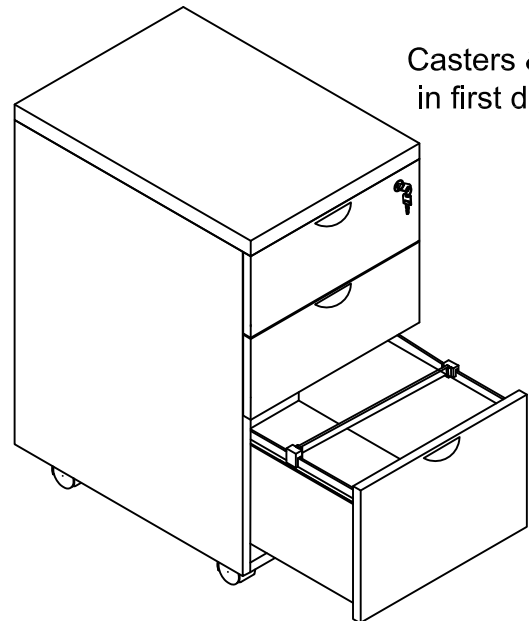
### STEP1



### STEP2



### STEP3



#### IMPORTANT NOTE:

- Place all laminated parts on a clean and smooth surface such as a rug or carpet to avoid the parts from being scratched.
- Check to be sure that you have all parts and hardware.
- Remove all wrapping materials, including staples & packing straps before you start to assemble.
- Don't tighten all screws/bolts until all completely assembled.
- Keep all hardware parts out of reach of children
- If the product is not working properly, is missing a part, is damaged, or if you have any questions, please call customer service hotline before returning.
- Customer Service Hotline: 1-800-593-1888 For further assembly instructions, please visit our website at [www.boschair.com](http://www.boschair.com)