

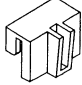



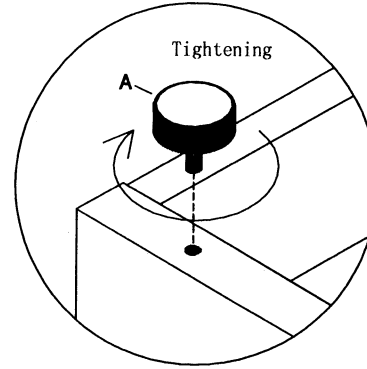
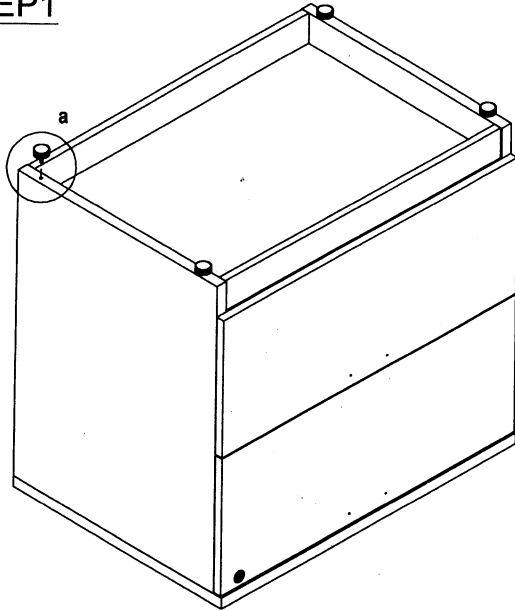


Assembly Instructions
MODEL NO.:N112
 2 DRAWER LATERAL FILE

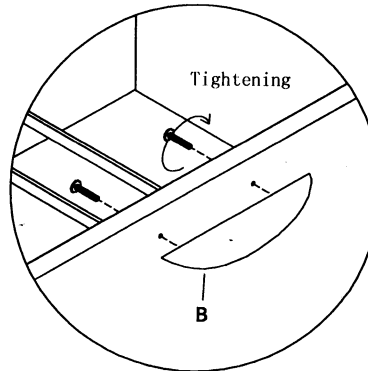
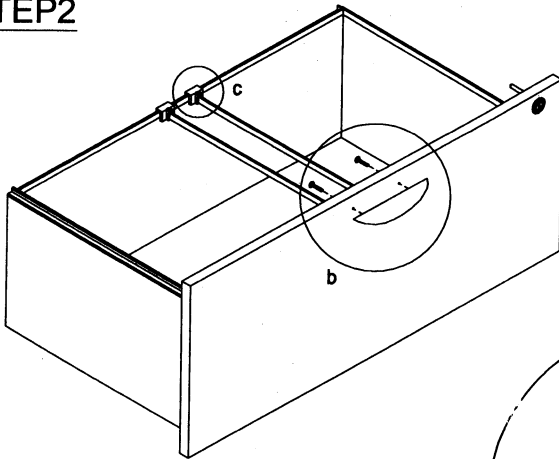
TUN021AG		TUN001FC	TUN003AB	TUN004AB	
A  Adjustable Glide 4 Pcs	B  96mm Metal Scallop Shape Handle 2 Sets	C  File Clip 8 Pcs+2Pcs(spare)	D  672*16*3mm Aluminium Bar 2 Pcs	E  378*16*3mm Aluminium Bar 4 Pcs	F  Keys 1 Set

STEP1

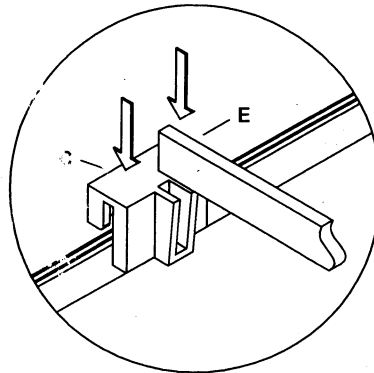


a

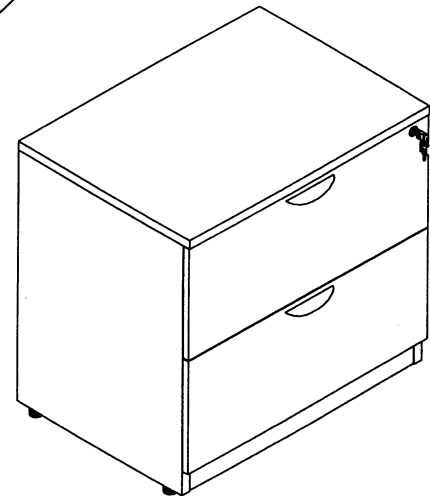
STEP2



b



C



COMPLETED ASSEMBLY

IMPORTANT NOTE:

- Place all laminated parts on a clean and smooth surface such as a rug or carpet to avoid the parts from being scratched.
- Check to be sure that you have all parts and hardware.
- Remove all wrapping materials, including staples & packing straps before you start to assemble.
- Don't tighten all screws/bolts until all completely assembled.
- Keep all hardware parts out of reach of children.