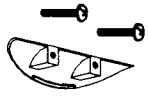
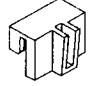


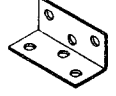
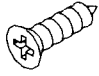

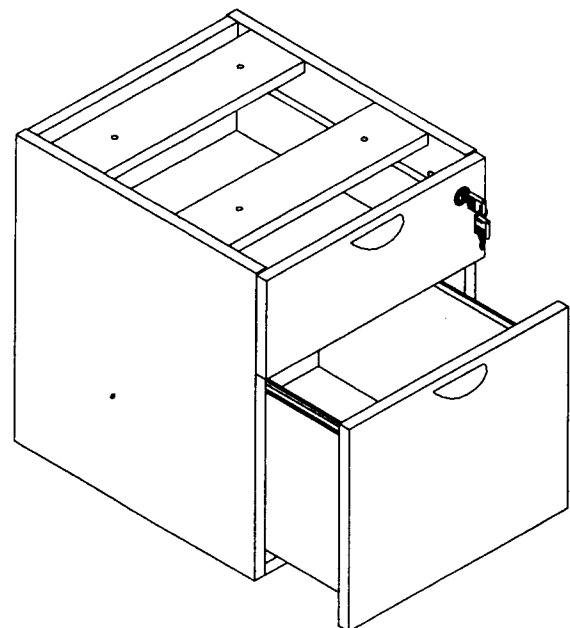
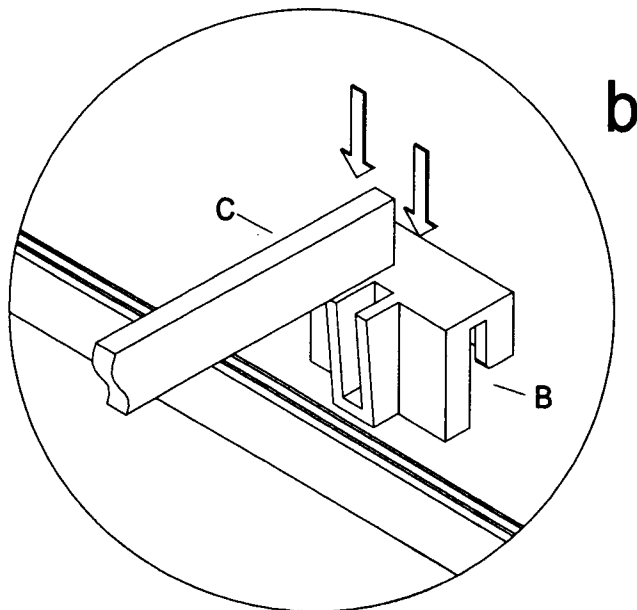
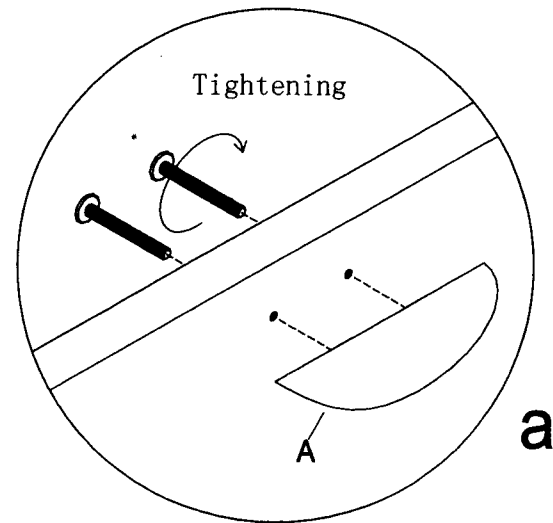
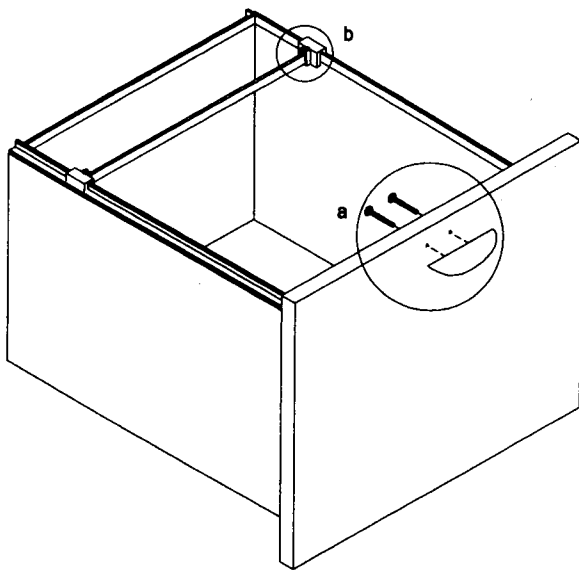


Assembly Instructions

MODEL NO.:N108

BOX/FILE PEDESTAL

TUN005MH	TUN001FC	TUN002AB	TUN027SC	TUN013LB6	TUN014SC	
A  32mm Metal Scallop Shape Handle 2 Sets	B  File Clip 2 Pcs	C  300*16*3mm Aluminum Bar 1 Pc	D  Screw M6*30mm 4 Pcs	E  6 Hole L-Bracket 2 Pcs	F  Screw #4*5/8" 12 Pcs	G  Keys 1 Set



COMPLETED ASSEMBLY

IMPORTANT NOTE:

- Place all laminated parts on a clean and smooth surface such as a rug or carpet to avoid the parts from being scratched.
- Check to be sure that you have all parts and hardware.
- Remove all wrapping materials, including staples & packing straps before you start to assemble.
- Don't tighten all screws/bolts until all completely assembled.