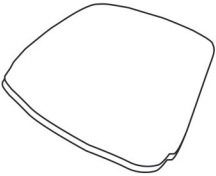
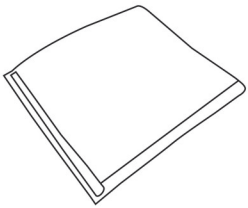
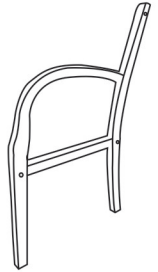
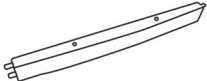
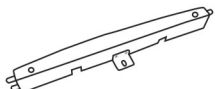
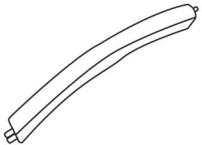











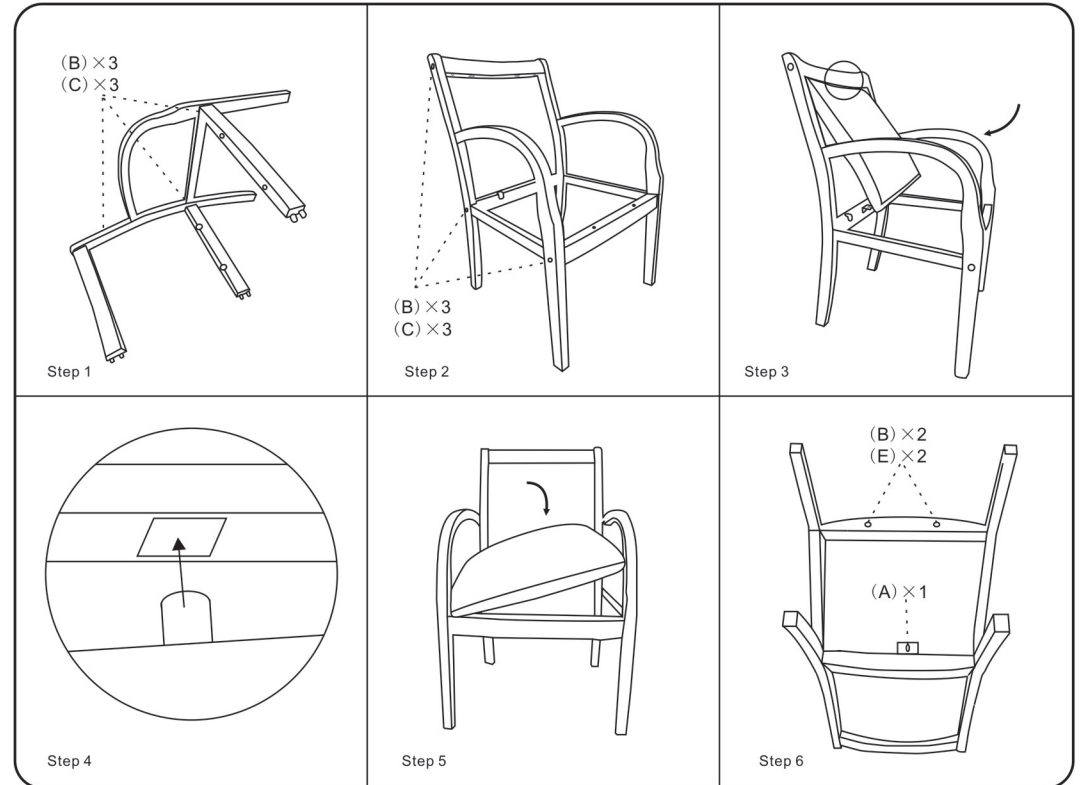


Insert and loosely tighten all screws. When assembly is completed, fully tighten all screws before using. This chair is only intended for sitting. Any other use will void the warranty.

MODEL : B9557

Seat Cushion	Back Cushion	Arms & Front Legs x 2
		
Front	Back	Top
		
(A) × 1	(B) × 8	(C) × 6
		
M6 × 25	M6 × 35	Wood Caps
(D) × 1	(E) × 2	
		
Allen Key	Allen Key	
(A) × 1	(B) × 8	(C) × 6
		
Allen Key	Allen Key	Wood Caps
(A) × 1	(B) × 8	(C) × 6
		
Allen Key	Allen Key	Wood Caps



Customer Service Hotline: 1-800-593-1888

For further assembly instructions,

please visit our website at www.bosschair.com

