

ASSEMBLY INSTRUCTIONS



Model No:

- B9540
- B9545
- W780
- W781
- EQ271
- EQ272
- Z105
- Z100



Parts List

QTY



Back

1PC



Frame

2PCS



Frame

2PCS



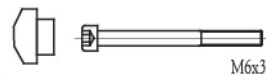
Long (Front)
Short (Back)

2PCS



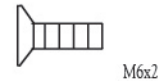
Cushion

1PC



Wood Cap
Long screw

4PCS



Short screw

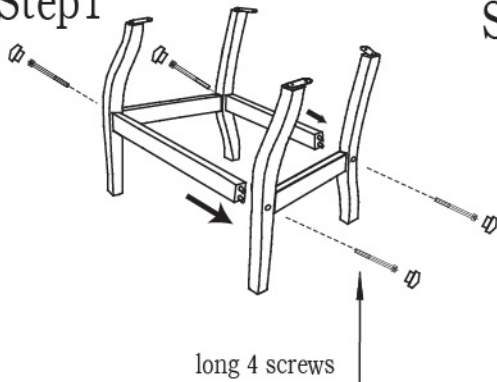
8PCS



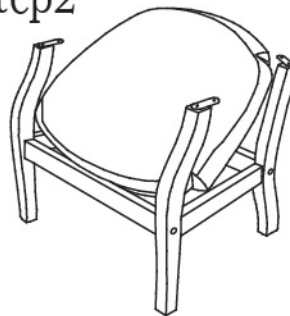
Allen Key

1PCS

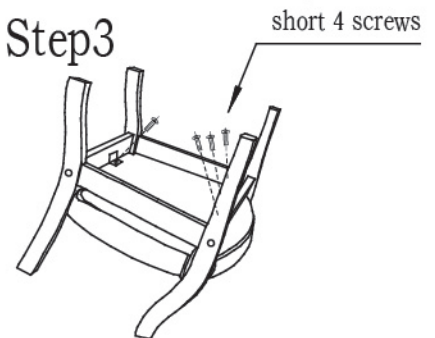
Step1



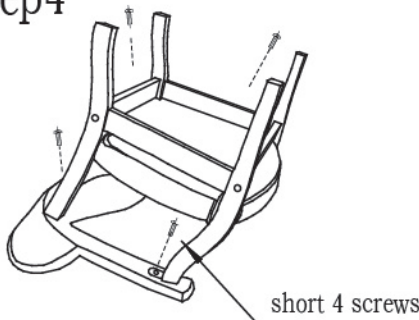
Step2



Step3



Step4



Do not tighten screws leave loose until step2.
Place seat cushion inside frame, screw cushion in,
then tighten frame (long screws) and seat (short screws).
NOTE: Please make sure all screws are completely tightened.

Insert and loosely tighten all screws. When assembly is completed, fully tighten all screws before using. This chair is only intended for sitting. Any other use will void the warranty.

**IMPORTANT NOTICE:
HARDWARE PACKAGE IS ATTACHED ON THE BOTTOM OF
SEAT CUSHION.**

Customer Service Hotline: 1-800-593-1888

For further assembly instructions, please visit our website at www.bosschair.com