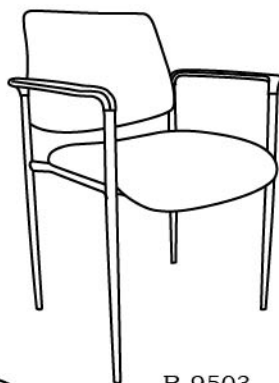


# Assembly Instruction

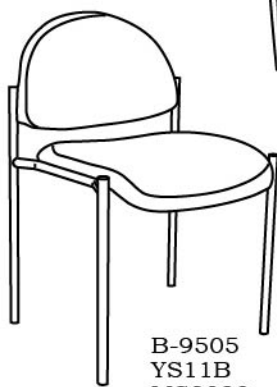
Insert and loosely tighten all screws. Failure to do this will cause holes not to line up properly. When assembly is completed, fully tighten all screws before using. This chair is only intended for sitting. Any other use will void the warranty.



B-9501  
YS11A  
MS3010  
EQ1059



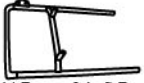





B-9503  
EQ1022



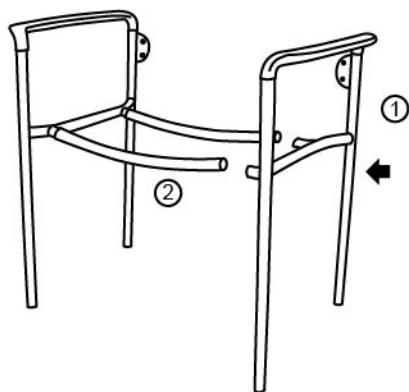
B-9505  
YS11B  
MS3020

1

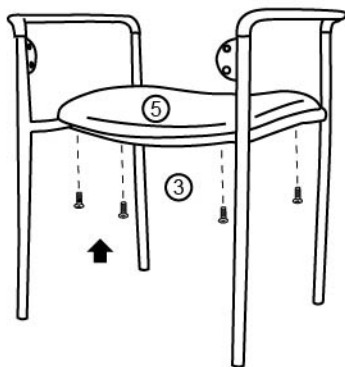
CAUTION: Edges of some parts may be sharp. Please handle unassembled parts carefully.

Parts List		Q'ty
①	 Right Frame & Left Frame	2
②	 Connecting bar	2
③	 M6x36	4
④	 M6x22	4
⑤	 Seat	1
⑥	 Back	1

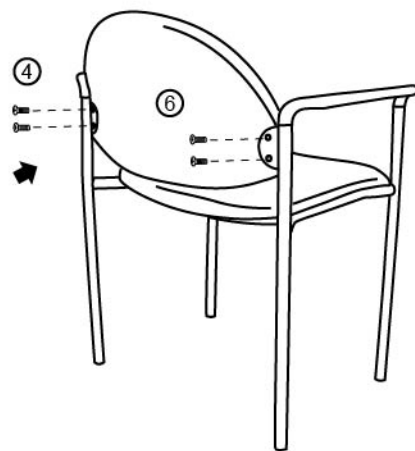
Frame & Tube



2 Seat & Frame



3 Back Joint



**IMPORTANT NOTICE:**  
**HARDWARE PACKAGE IS ATTACHED ON THE BOTTOM OF SEAT CUSHION.**

Customer Service Hotline: 1-800-593-1888

For further assembly instructions, please visit our website at [www.bosschair.com](http://www.bosschair.com)