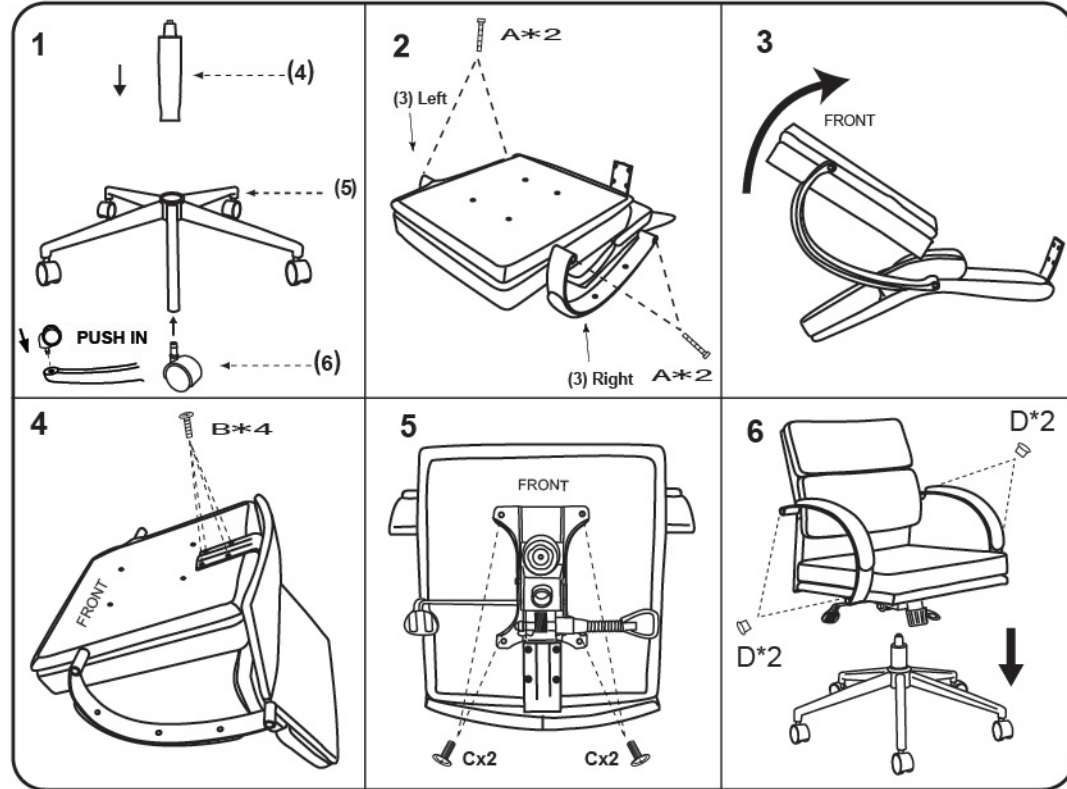


**IMPORTANT NOTICE:
HARDWARE PACKAGE IS ATTACHED
ON THE BOTTOM OF SEAT CUSHION.**

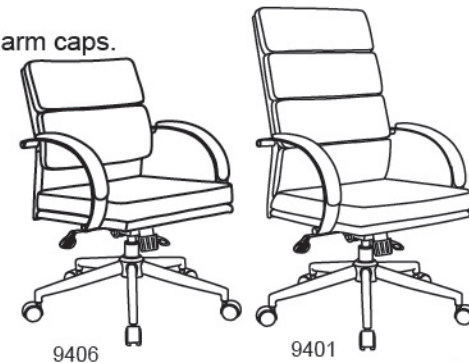
MODEL: B9401/B9406

(1)X1	(2)X1	(3)X1 (L)x1 (R)
(4)X1	(5)X1	(6)X5
(7)X1		
(A)X4		M8*50 ARM SCREW
(B)X4		M8*25 L-BAR SCREW
(C)X4		M8*22 MECHANISM SCREW
(D)X4		ARM CAP
(E)X1		ALLEN KEY



Step 2: Do NOT tighten arm screws.

Step 6: Tighten arm screws before you put on the arm caps.



Insert and loosely tighten all screws. When assembly is completed, fully tighten all screws before using. This chair is only intended for sitting. Any other use will void the warranty.