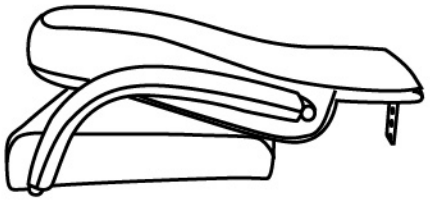

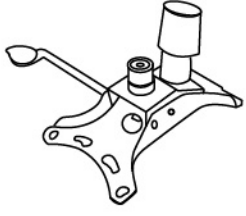
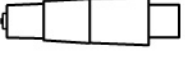

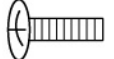
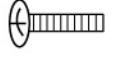


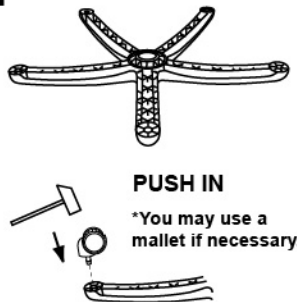


**IMPORTANT NOTICE:
HARDWARE PACKAGE IS ATTACHED
ON THE BOTTOM OF SEAT CUSHION.**

MODEL: 9301 9306 9351 9356

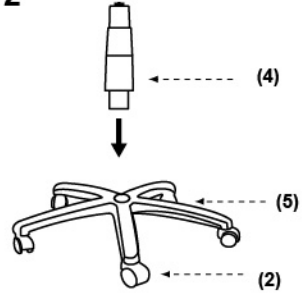
(1)x1		(2)x5
 <p>Back & Seat W/ ARMS</p>		 <p>Caster</p>
(3)x1	(4)x1	(5)x1
 <p>Mechanism</p>	 <p>Gas Lift W/ Cover</p>	 <p>5-Star Base</p>
(A)*4PCS		M8*22 MECHANISM SCREW
(B)*6PCS		M6*25 BACK BAR SCREWS
(C)*4PCS		ARM CAP
(D)*1PC		ALLEN KEY

1



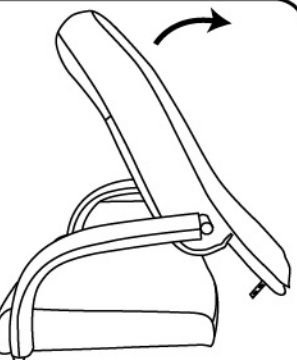
PUSH IN
*You may use a mallet if necessary.

2

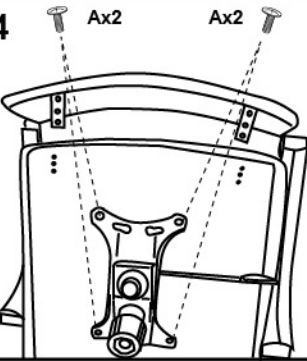


(4)
(5)
(2)

3

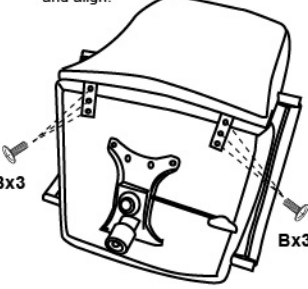


4



Ax2 Ax2

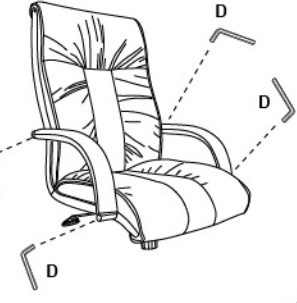
5



May need to loosen arm to level and align.

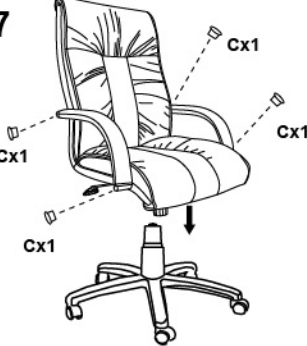
Bx3 Bx3

6



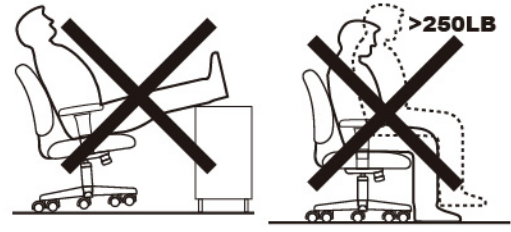
D D D D

7



Cx1 Cx1 Cx1 Cx1

Note: Please tighten all arm screws using allen key before step 7



>250LB

Insert and loosely tighten all screws. When assembly is completed, fully tighten all screws before using. This chair is only intended for sitting. Any other use will void the warranty.