
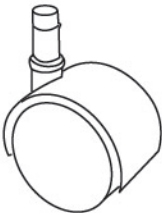
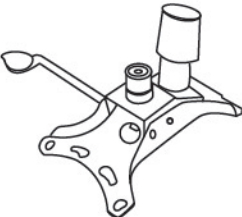



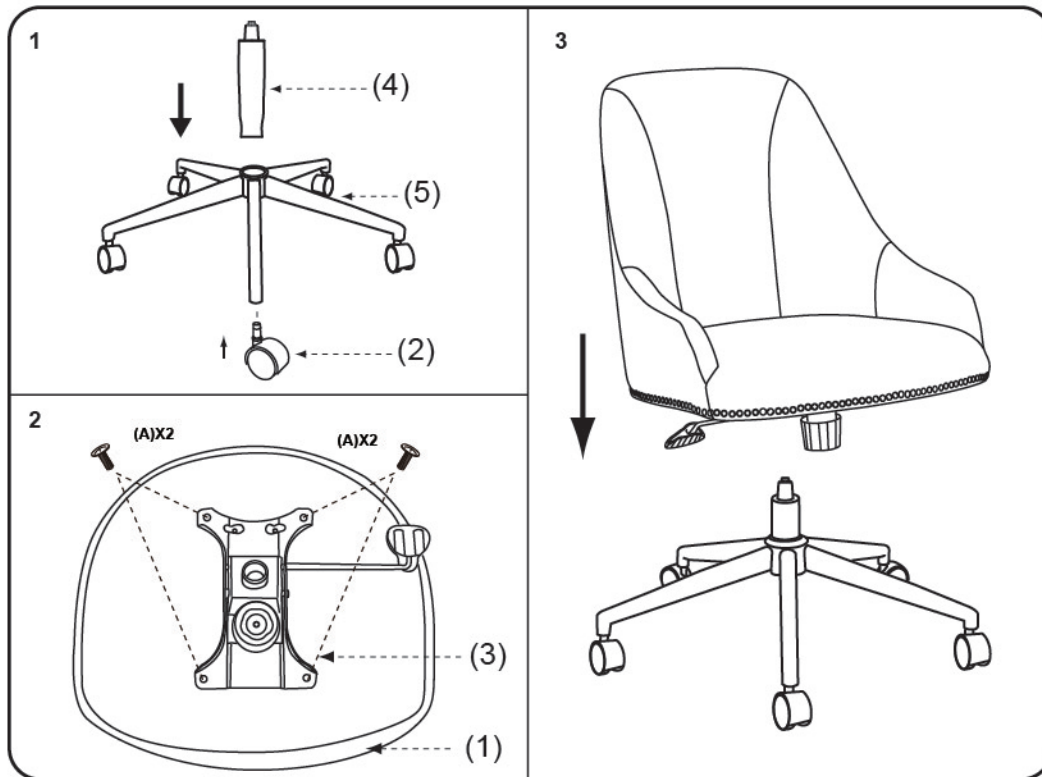


**IMPORTANT NOTICE:
HARDWARE PACKAGE IS ATTACHED
ON THE BOTTOM OF SEAT CUSHION.**

MODEL : B516C

(1)x1		(2)x5	
			
Cushion		Caster	
(3)x1	(4)x1	(5)x1	
			
Mechanism	Gas Lift	Base	
<p>(A)x4  M8*22 MECHANISM SCREW</p>			



Insert and loosely tighten all screws. When assembly is completed, fully tighten all screws before using. This chair is only intended for sitting. Any other use will void the warranty.

