







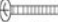

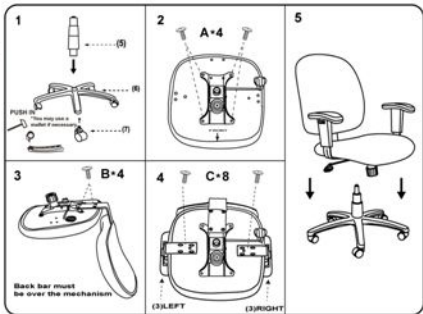


MODEL: B495 B497 Series

Please unscrew all hardware from cushion before assembly.
 Por favor de destornillar todos los tornillos del cojín antes de ensamblar la silla.

(1)x1  Back Cushion	(2)x1  Seat Cushion	(3)x1 (L)x1 (R)  Left-Arm Right-Arm
(4)x1  TU001 Mechanism	(5)x1  TU026 Gas Lift W/ Cover	(6)x1  Base TU005-305
(7)x5  Caster TU015	<p>(A)*4  M8*22 Mechanism Screws</p> <p>(B)*4  M8*30 Back Bar Screws</p> <p>(C)*8  M6*22 Arm Screws</p>	



Insert and loosely tighten all screws. When assembly is completed, fully tighten all screws before using. This chair is only intended for sitting. Any other use will void the warranty.



Customer Service Hotline: 1-800-593-1888
 For further assembly instructions,
 please visit our website at www.bosschair.com

