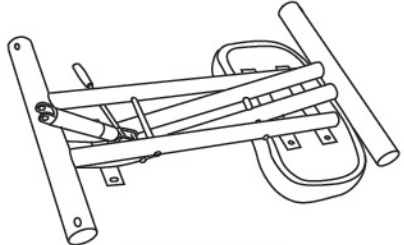
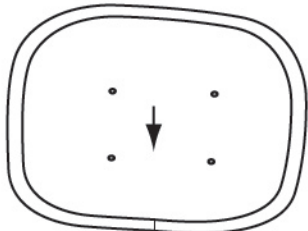



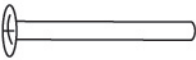
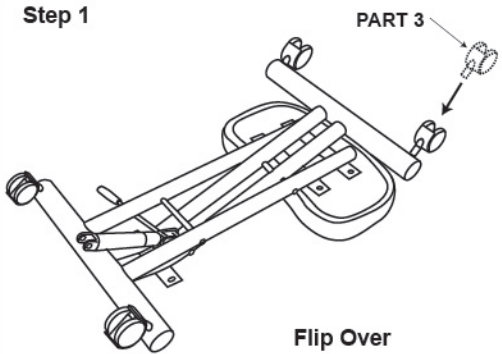
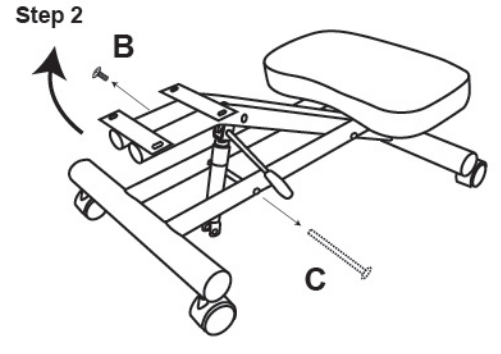
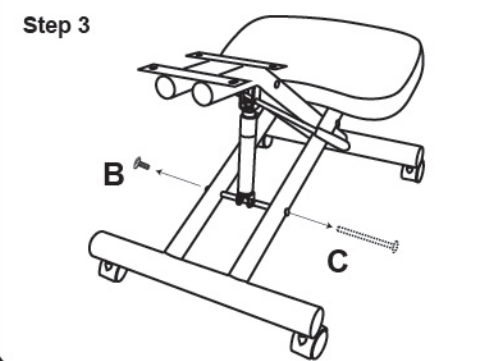
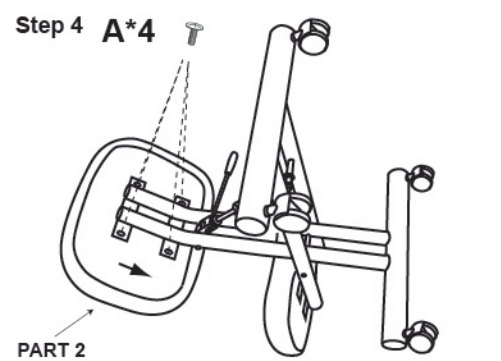


**IMPORTANT NOTICE:
HARDWARE PACKAGE IS ATTACHED
ON THE BOTTOM OF SEAT CUSHION.**

MODEL : B248

(1)x 1	
 <p>knee cushion</p>	
(2)x 1	(3)x 4
 <p>seat cushion</p>	 <p>caster</p>
<p>(A)*4</p>  <p>M6*18 Seat Cushion Screws (found in seat)</p>	<p>(B)*1</p>  <p>M6*16 Frame Screws</p>
<p>(C)*1</p>  <p>Long Frame screw (B & C found in frame Remove before Step 3)</p>	

<p>Step 1</p>  <p>PART 3</p> <p>Flip Over</p>	<p>Step 2</p>  <p>B</p> <p>C</p>
<p>Step 3</p>  <p>B</p> <p>C</p>	<p>Step 4 A*4</p>  <p>PART 2</p>

Insert and loosely tighten all screws. When assembly is completed, fully tighten all screws before using. This chair is only intended for sitting. Any other use will void the warranty.

